



LEUCO S.p.A. - VIA U. DEGOLA, 25 - 42100 REGGIO EMILIA - ITALY
TEL. +39.0522.927036 - FAX +39.0522.275551 – E-mail: info@leucopumps.com
[http:// www.hawkpumps.com](http://www.hawkpumps.com) VAT registration number: IT 00607420353
Società soggetta all'attività di coordinamento e controllo della Società statunitense C-Tech Industries Inc.

To All Customers

February 2006

PRODUCT INNOVATION "PX" PUMP SERIES

We are proud to inform you about the product innovation that we are going to implement in our "PX" pump line with a view to improve our products' performances continuously and offer increasingly reliable pumps to the cleaning industry.

The technical innovation involves the following components, as explained in details in the next page:

1. Brass Manifold
2. Seal Packing
3. Bearings
4. Bearing Housings

and will be effective starting from the following serial numbers:

PX125R / PX125L = starting from serial no. 521
PX15R / PX15L = starting from serial no. 508
PX17R / PX17L = starting from serial no. 666

Obviously, spare parts for the "old version" pumps will still be available for some time.

We are at your disposal for any further clarification or information you may require.

Best Regards

LEUCO S.p.A.



LEUCO S.p.A. - VIA U. DEGOLA, 25 - 42100 REGGIO EMILIA - ITALY

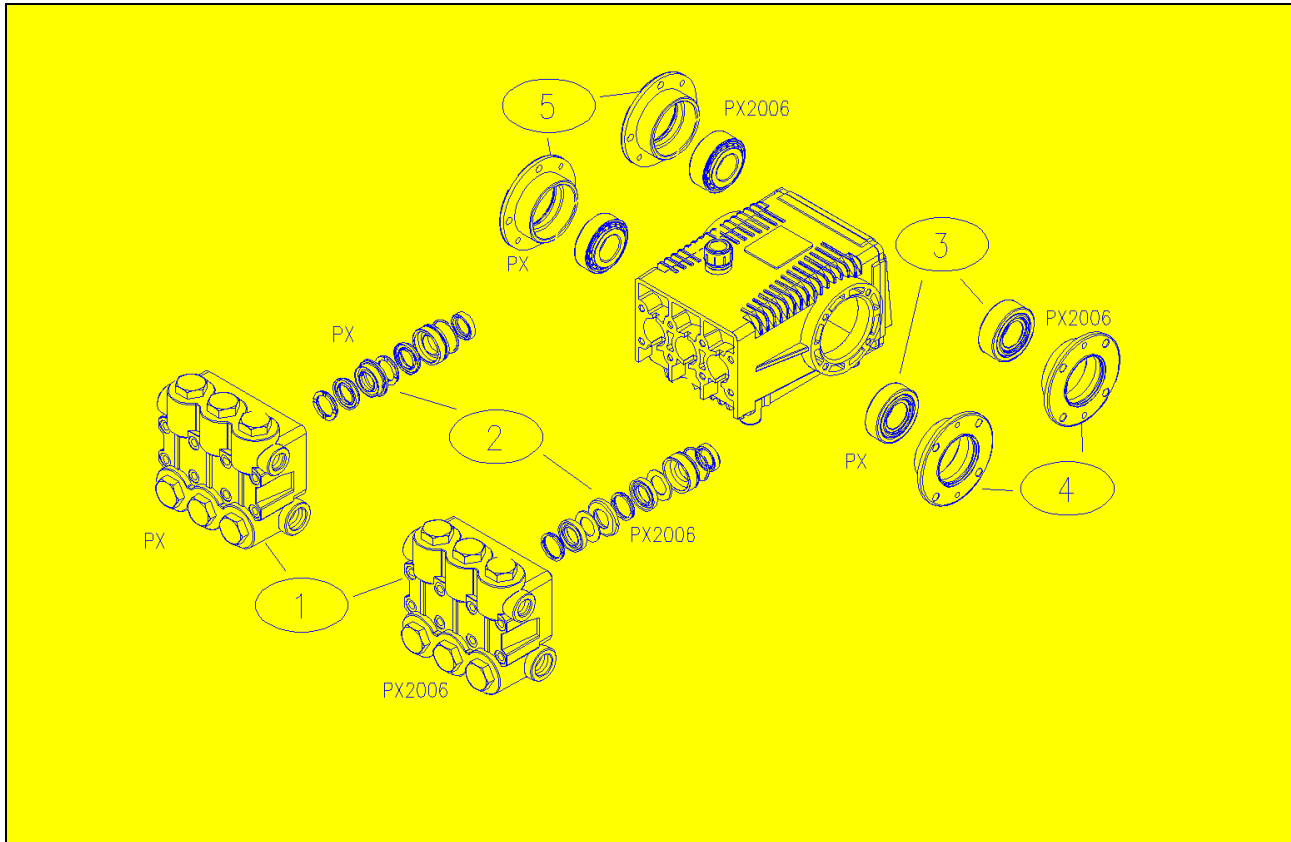
TEL. +39.0522.927036 - FAX +39.0522.275551 – E-mail: info@leucopumps.com

[http:// www.hawkpumps.com](http://www.hawkpumps.com)

VAT registration number: IT 00607420353

Società soggetta all'attività di coordinamento e controllo della Società statunitense C-Tech Industries Inc.

DIFFERENCES BETWEEN THE NEW "PX" 2006 VERSION AND THE PREVIOUS VERSION



• BRASS MANIFOLD

The old manifold p/n 160210 is replaced by the new manifold p/n 160229. The new manifold features different housings for the new U-shaped seal packing with 28 mm external diameter (instead of 30 mm).

The inlet port has been moved 2 mm away from the check valves in order to increase the material thickness below the check valves.

/ SEAL PACKING

The old V-shaped seal packing has been replaced by the new U-shaped one which includes plastic support rings plus rings in PTFE under both seals. The high pressure seal has a 28 mm external diameter and the low-pressure seal has a 26 mm external diameter specifically designed for these pumps. The intermediate ring is made of stainless steel in order to increase its strength.

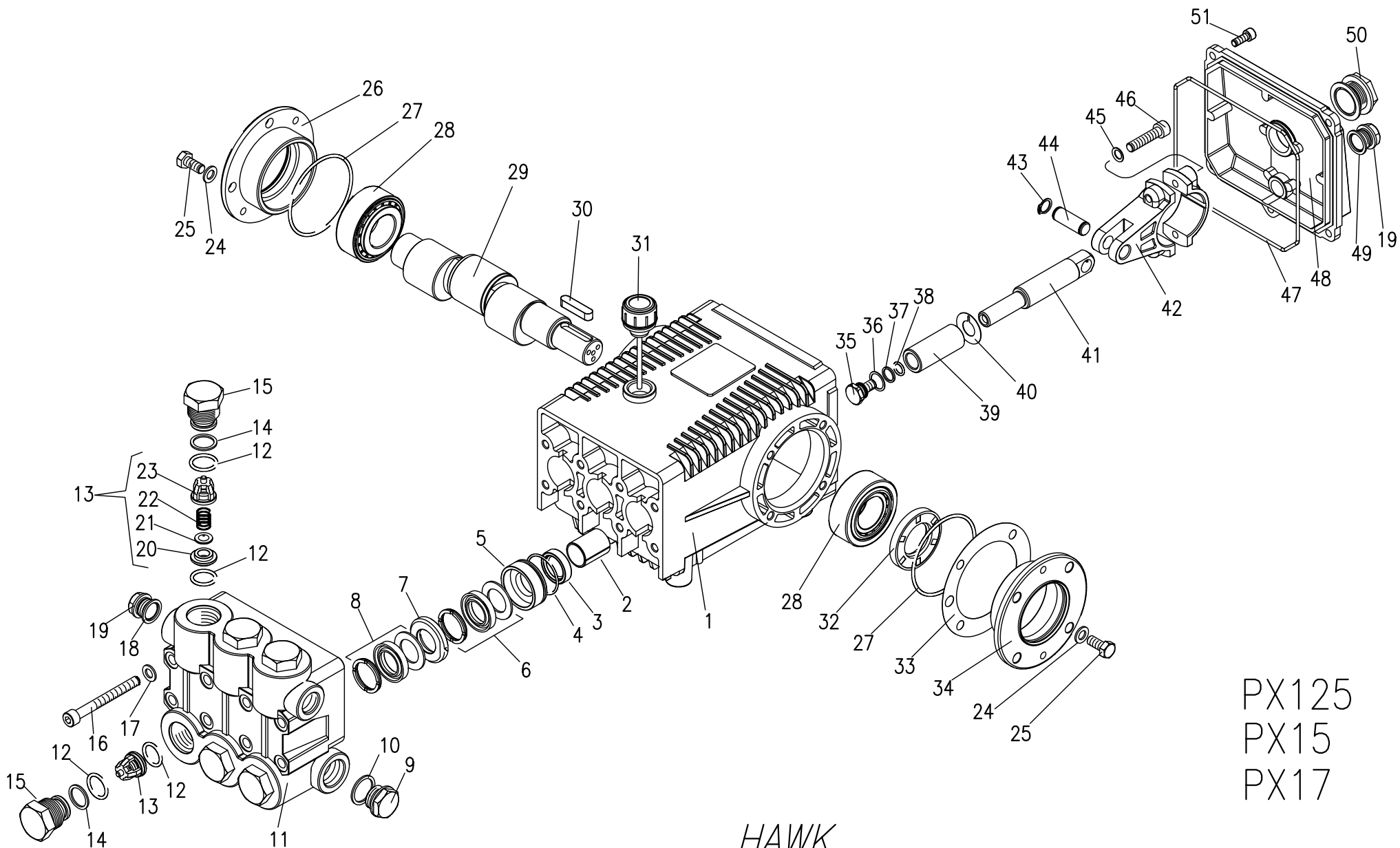
The old version kit p/n 260217 and the new version kit p/n 260221 are NOT interchangeable.

f BEARINGS

The bearings type 32206 (p/n 020004) have been replaced by type 33206 (p/n 020005) with a load capacity 30% higher. Obviously the old and new version bearings are not interchangeable unless two new version bearing housings are assembled at the same time.

// ... BEARING HOUSINGS

Both the open and the closed bearing housings have been modified in order to house the larger bearings.



PX125
 PX15
 PX17

HAWK
Pompe serie PX-2006
PX-2006 series pumps

**SPARE PARTS LIST
PX SERIES 2006**

**LISTA RICAMBI
SERIE PX 2006**

Pos. Item	Codice Part Number	Description	Descrizione	Q.tà/Pompa Q.ty/Pump	PX125	PX15	PX17
1	0202.10	Crankcase	Carter	1			
2	0602.00	Plunger guide	Guida asta pistone	3			
*3	0001.01	Plunger oil seal	Anello radiale	3			
*4	0601.08	"O" Ring Ø1.78x37,82	"O" Ring Ø1.78x37,82	3			
*5	1201.33	Pressure ring 18 mm	Pressore Ø18	3			
*6	0002.51	"U" seal, dia. 18x26 mm	Anello tenuta "U" Ø18x26	3			
*7	0300.53	Support ring 18mm	Diffusore Ø18	3			
*8	0002.50	"U" seal, dia. 18x28 mm	Anello tenuta "U" Ø18x28	3			
9	1601.20	Brass plug 1/2	Tappo G1/2	1			
10	0603.07	Copper washer 1/2	Guarnizione rame G1/2	1			
11	1602.29	Manifold housing	Testata	1			
*12	0601.23	"O" Ring Ø2.62x17,13	"O" Ring Ø2.62x17,13	12			
*13	3604.40	Valve assembly	Valvola premontata	6			
*14	0009.10	Teflon ring	Anello antiestrusione	6			
15	1601.10	Valve plug	Tappo valvola	6	®	®	®
16	1801.33	Manifold stud bolt	Vite M10x90	8			
17	1403.01	Lock Washer	Rosetta Elast Ø10,2	8			
18	0603.06	Copper washer 3/8	Guarnizione rame G3/8	1			
19	1601.17	Brass plug 3/8	Tappo G3/8	2			
20	1503.27	Valve seat	Sede valvola	6			
21	1202.00	Valve plate	Piattello valvola	6			
22	0900.30	Valve spring	Molla valvola	6			
23	0604.05	Valve cage	Gabbia valvola	6			
24	1400.01	Washer	Rosetta Ø8,5	8			
25	1802.03	Hexagonal screw	Vite M8x18	8			
26	0500.58	Closed bearing housing	Flangia chiusa	1			
27	0601.00	"O" Ring Ø2.62x71.12	"O" Ring Ø2.62x71.12	2			
28	0200.05	Roller bearing	Cuscinetto a rulli	2			
29	0004.75	Crankshaft	Albero eccentrico	1	®		
	0004.47	Crankshaft	Albero eccentrico	1		®	
	0004.74	Crankshaft	Albero eccentrico	1			®
30	0206.05	Crankshaft key	Chiavetta	1			
31	1600.07	Oil dip stick	Tappo livello olio	1			
32	0001.00	Crankshaft seal	Anello radiale	1			
33	0301.00	Shim	Distanziale	2			
34	0500.57	Bearing housing	Flangia	1			
*35	1800.01	Plunger bolt	Vite pistone	3			
*36	1400.12	Copper spacer	Rosetta rame	3			
*37	0601.03	"O" Ring Ø1.78x7.66	"O" Ring Ø1.78x7.66	3	®	®	®
*38	0009.04	Teflon ring	Anello antiestrusione	3			
*39	1200.09	Plunger 18mm	Pistone Ø18	3			
*40	1400.15	Copper spacer	Rosetta rame	3			
41	0003.10	Plunger rod	Asta pistone	3			
42	0100.00	Connecting rod	Biella completa	3			
43	1500.00	Snap ring	Anello Ø10	6			
44	1502.00	Connecting rod pin	Spinotto	3			
45	1401.03	Spring washer	Rosetta elastica Ø8	6			

**SPARE PARTS LIST
PX SERIES 2006**

**LISTA RICAMBI
SERIE PX 2006**

Pos. Item	Codice Part Number	Description	Descrizione	Q.tà/Pompa Q.ty/Pump	PX125	PX15	PX17
46	1801.01	Connecting rod screw	Vite M8x35	6	®	®	®
47	0601.85	"O" Ring Ø2.62x152.07	"O" Ring Ø2.62x152.07	1			
48	0203.51	Crankcase cover	Coperchio	1			
49	0603.02	Gasket, G3/8	Guarnizione G3/8	1			
50	0700.05	Sight glass, G3/4	Spia livello olio G3/4	1			
51	1801.12	Cover screw	Vite M6x16	5			

		Part available in kit only	Particolare disponibile solo in kit
*		Part available in kit also	Particolare disponibile anche in kit

SPARE PARTS KIT

KIT RICAMBI

Posizioni Item	Part Number & Description	Codice e Descrizione	Q.tà/Pompa Q.ty/Pump	PX125	PX15	PX17
4- 6- 8	2602.20 Plunger Seals 18 mm	2602.20 Guarnizioni pistone Ø18	1	®	®	®
3- 4- 5- 6- 7- 8	2602.21 Complete seal Packing 18 mm	2602.21 Pacco completo Guarnizioni pistone Ø18	3	®	®	®
35- 36- 37- 38 39- 40	2612.07 Plunger 18 mm	2612.07 Pistone Ø18	3	®	®	®
12- 13- 14	2600.17 Complete Valve	2600.17 Valvola completa	6	®	®	®
3	2600.03 Plunger oil Seals	2600.03 Anelli tenuta olio Asta	1	®	®	®

Overall dimensions PX125 - PX15 - PX17 (2006)

