



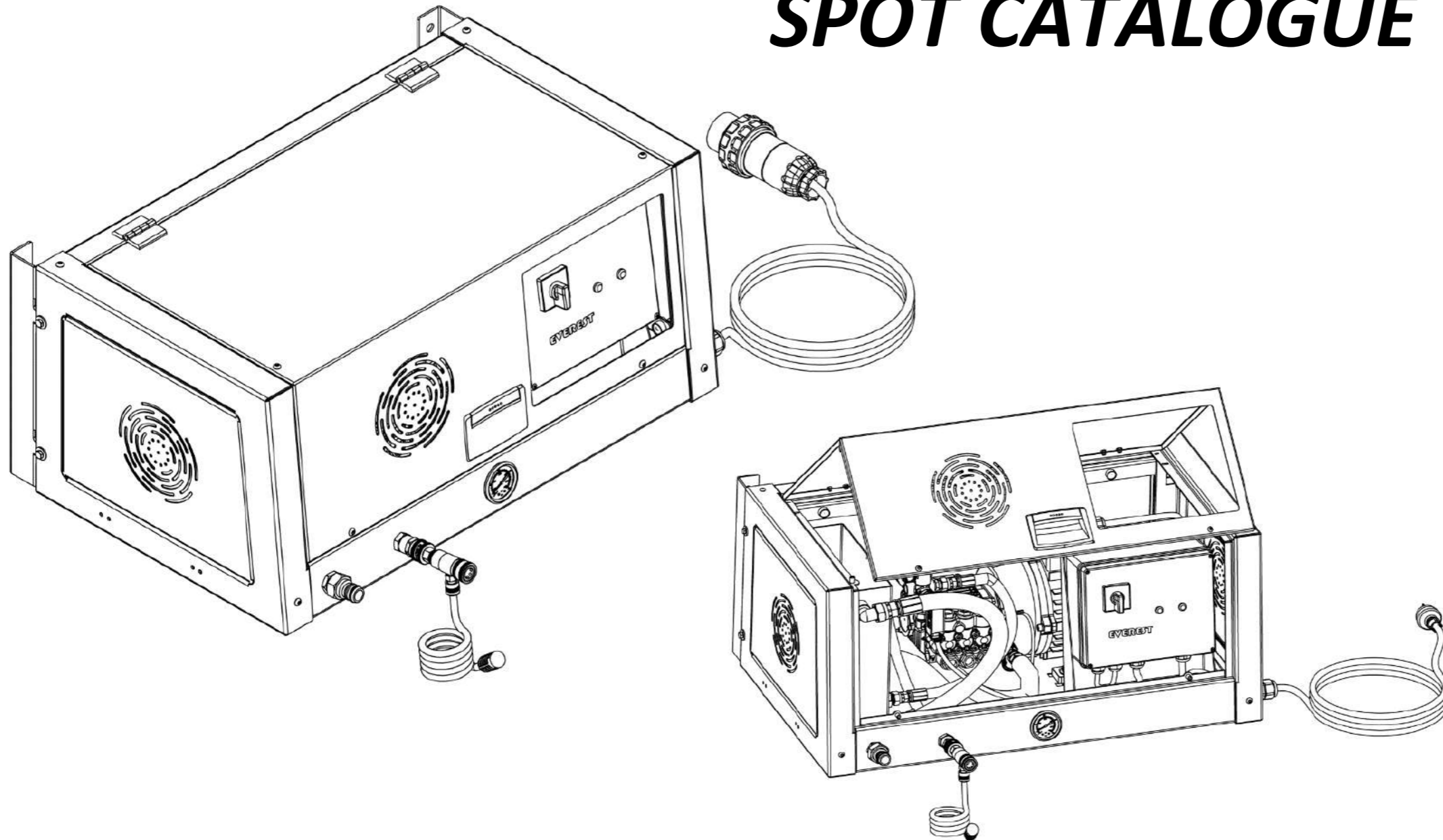
B.A.R. Group Pty Ltd

15 Hudson Place, Mulgrave, NSW 2756

Phone: +61 2 4577 2144; Fax: +61 2 4577 3184

Email: sales@bargroup.com.au

SPOT CATALOGUE



103 SPOT 10/12

103 SPOT 15/15

103 SPOT 20/15

103 SPOT 15/21

103 SPOT 20/21

FOLLOW US ON



www.bargroup.com.au

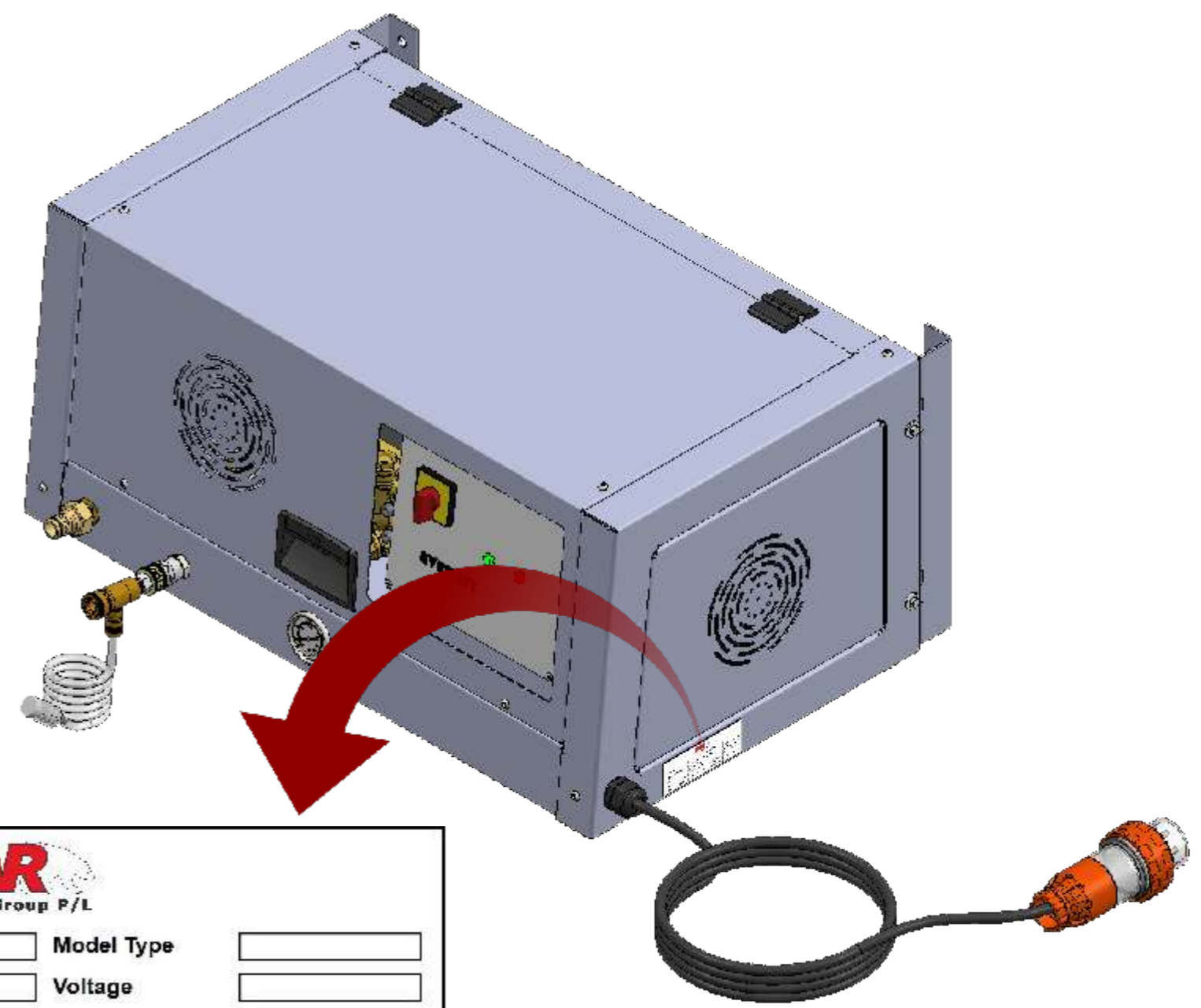
 **INFO SHEET**

BAR reserves the right to make all changes considered necessary due to continuous improvement of its machines, without being obliged to apply them to previously delivered machines.

Furthermore, **BAR** reserves the right to make any modifications/changes at any time and with no advance notice, as deemed necessary for technical and commercial reasons, without making a commitment to update this catalogue immediately.

Data, features, pictures and descriptions are purely indicative and are not legally binding.
All rights reserved for **BAR Group PTY LTD.**

The present spare parts list allows one to order exactly the right spare parts.
When ordering, specify the part number followed by its description.



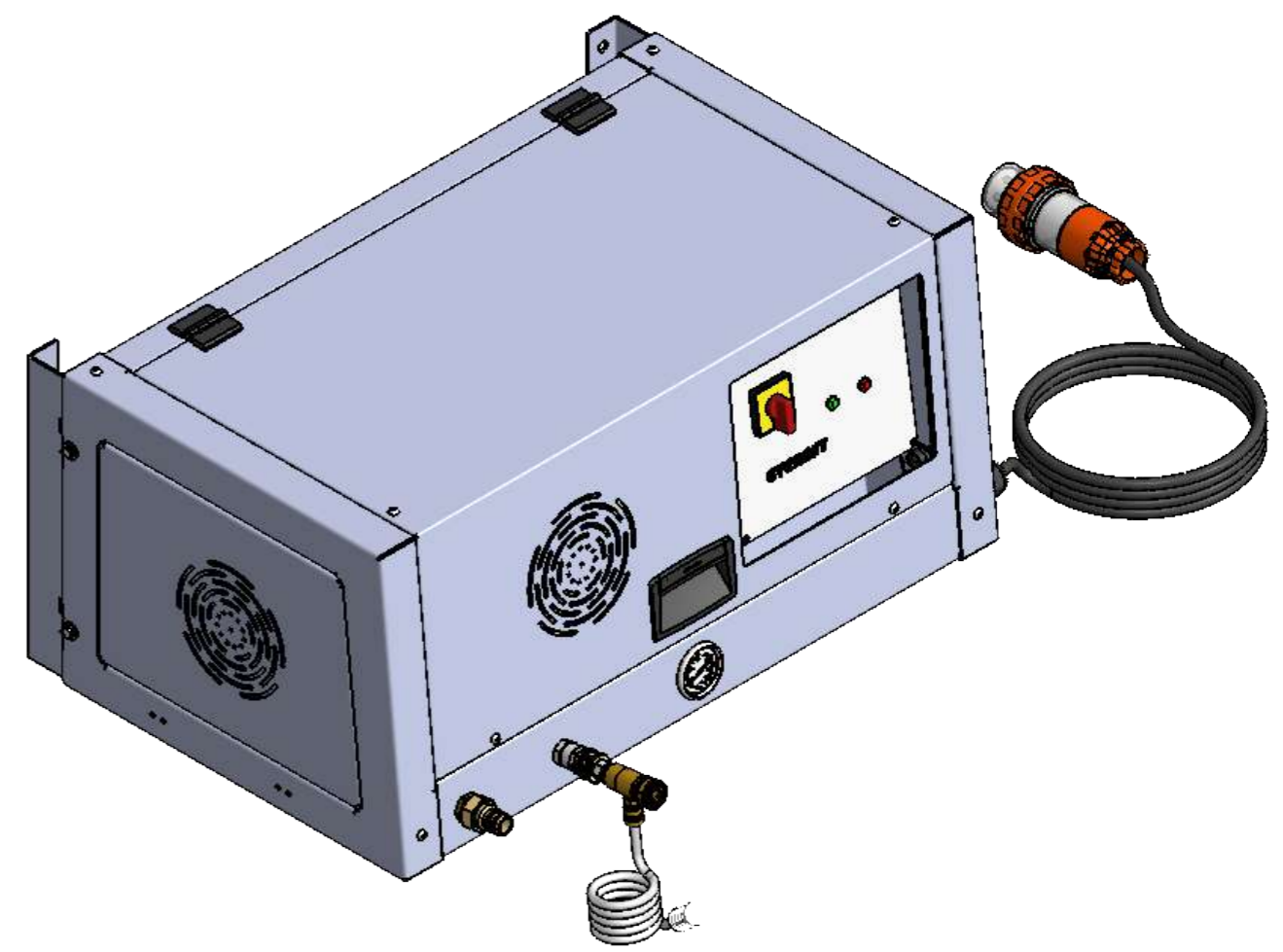
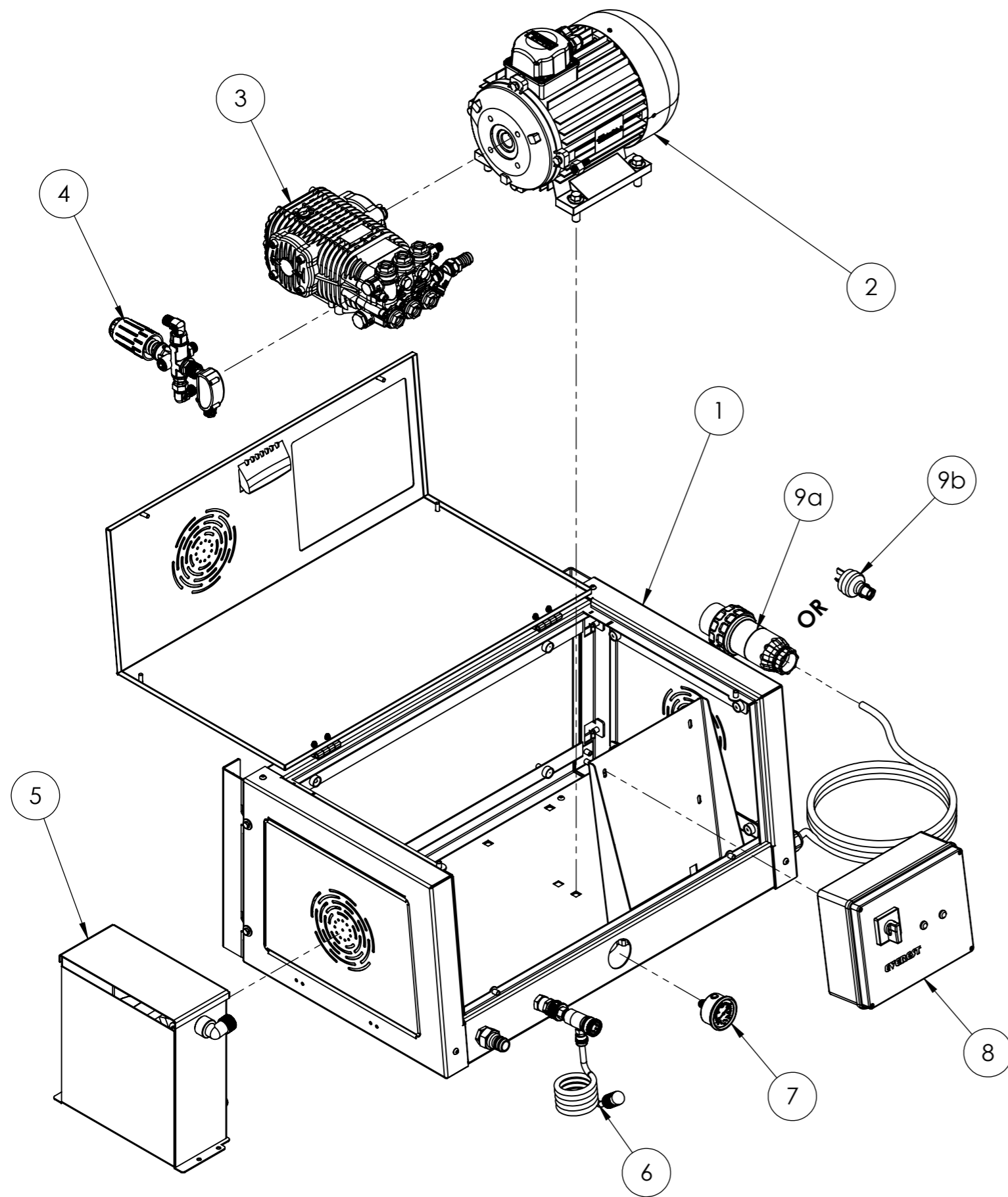
BAR
B.A.R. Group P/L


| | | | |
|----------------------------|----------------------|-----------------------|----------------------|
| Model Number | <input type="text"/> | Model Type | <input type="text"/> |
| Maximum Pressure | <input type="text"/> | Voltage | <input type="text"/> |
| Maximum Flow | <input type="text"/> | Fuel | <input type="text"/> |
| Maximum Temperature | <input type="text"/> | Current @ 240V | <input type="text"/> |
| Manufacturing Date | <input type="text"/> | Current @ 415V | <input type="text"/> |

The identification plate (with the technical specifications of the machine) is positioned right beside the power outlet on the machine and is always visible.

| | | | | | | | | |
|---|--|--|---------------|--|------------------------------------|--|--------------------------------|--|
| UNLESS OTHERWISE SPECIFIED: DIMENSIONS ARE IN MILLIMETERS SURFACE FINISH: TOLERANCES: LINEAR: ANGULAR: | | | FINISH: | | DEBURR AND BREAK SHARP EDGES | | BAR B.A.R. Group P/L | |
| | | | NAME | | SIGNATURE | | DATE | |
| | | | DRAWN | | Kishwar A | | 14/10/22 | |
| | | | CHK'D | | Dominic R | | | |
| | | | APPVD | | Daryl B | | | |
| | | | MFG | | | | | |
| | | | Q.A | | | | | |
| | | | MATERIAL: | | | | PART NO. / PRODUCT | |
| | | | | | | | 103 SPOT Pressure Washer | |
| | | | WEIGHT: | | | | DESCRIPTION | |
| | | | | | | | Information Sheet | |
| | | | SCALE:1:50 | | | | A3 | |
| | | | SHEET 1 OF 14 | | | | | |


NOTE: Unless specific model is mentioned, same part is used in all versions.



| | | | | | | | | |
|---|--|--|---------|--|------------------------------------|--|---|--|
| UNLESS OTHERWISE SPECIFIED: DIMENSIONS ARE IN MILLIMETERS SURFACE FINISH: TOLERANCES: LINEAR: ANGULAR: | | | FINISH: | | DEBURR AND BREAK SHARP EDGES | |  | |
| | | | | | | | | |
| | | | | | | | 103 SPOT Pressure Washer | |
| | | | | | | | DESCRIPTION | |
| | | | | | | | Major Components view | |
| | | | | | | | A3 | |
| | | | | | | | SCALE:1:50 | |
| | | | | | | | SHEET 2 OF 14 | |

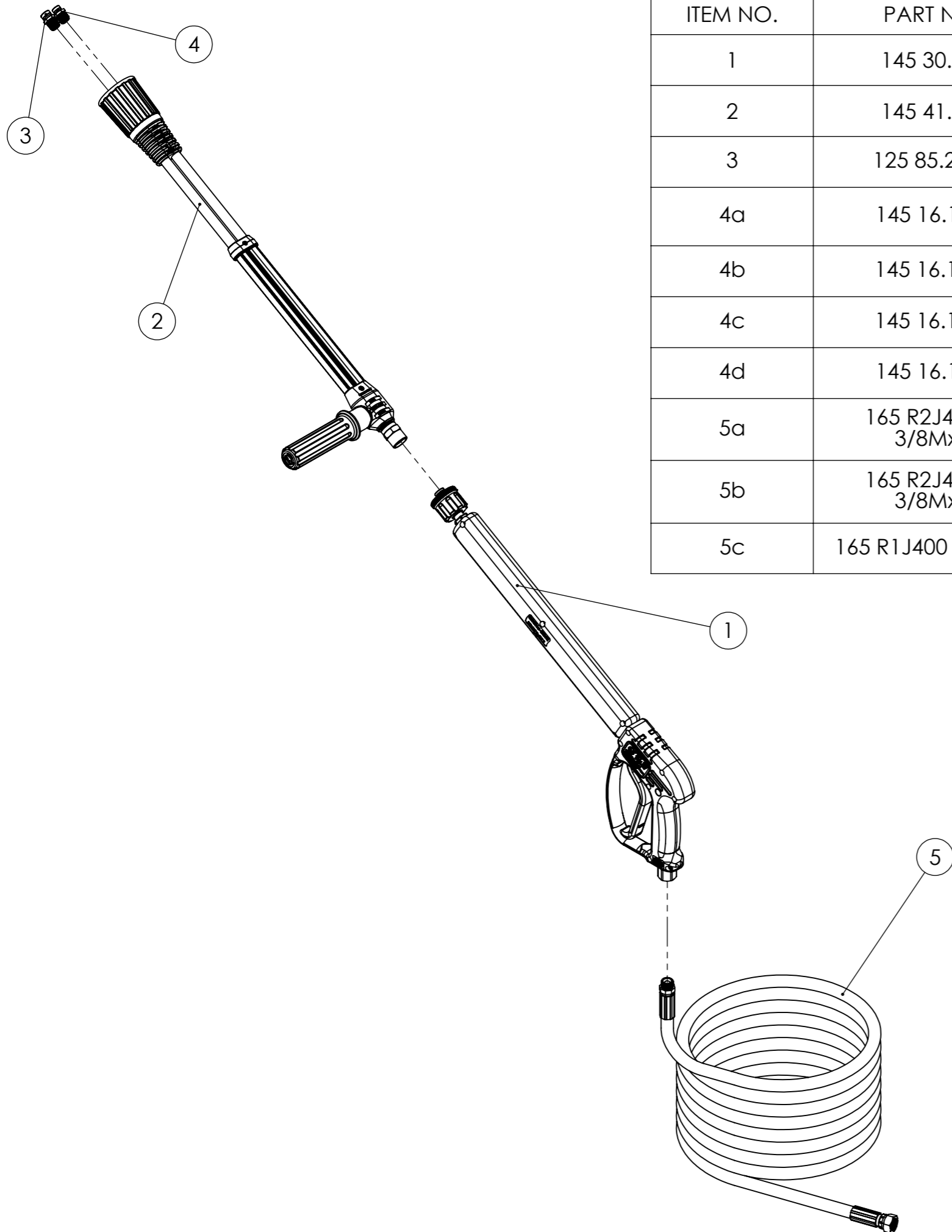
8 7 6 5 4 3 2 1


| ITEM NO. | PART NUMBER | DESCRIPTION | QTY. | NOTES |
|----------|---------------------|--------------------------------|------|----------------|
| 1 | 118 44700000 | Spot Cabinet+Mtng Brkt | 1 | - |
| 2 | 165 T41125/5IN1C2KO | Nic 5.5kW Hollow Shaft | 1 | 103 SPOT 20/15 |
| | 165 T41125/5NR1C3KG | Nic 5.5kW Elastic Joint | | 103 SPOT 15/21 |
| | 165 M41122/2NR8C3KG | Nic 2.2kW (1Ph) Elastic Joint | | 103 SPOT 10/12 |
| | 165 T41124/ONR1C3KG | Nic 4.0kW Elastic Joint | | 103 SPOT 15/15 |
| | 165 T41337/5IN1C4KO | Nic 7.5kW Hollow Shaft | | 103 SPOT 20/21 |
| 3 | 210 RW4030S | Comet Pump | 1 | 103 SPOT 20/15 |
| | 210 RW4030S | Comet Pump | | 103 SPOT 15/15 |
| | 210 RW5530S | Comet Pump | | 103 SPOT 15/21 |
| | 210 LW3020S | Comet Pump 2000 psi 11 l/m | | 103 SPOT 10/12 |
| | 212 WS202 RX | IP 21L/min-2900psi-1450rpm | | 103 SPOT 20/21 |
| 4 | 155 4072000007 | Unloader VRT3-P C/w Switch | 1 | - |
| | 145 60.0006.60 | Unloader Pulsar Rv C/w Switch | | 103 SPOT 10/12 |
| 5 | 118 44710000 | Spot Stainless Water Tank | 1 | - |
| 6 | 145 21.0175.25 | Chemical Injector 3/8 BSP M/F | 1 | - |
| | 125 85.400.006 | Chemical Hose assembly | 1 | - |
| 7 | 148 548 43 | Gauge 50mm (D1) | 1 | - |
| 8 | 118 90019400 | Spot Control Panel 7.5Hp (B) | 1 | 103 SPOT 20/15 |
| | 118 90019400 | Spot Control Panel 7.5Hp (B) | | 103 SPOT 15/21 |
| | 118 90019300 | Spot Elec Control Panel 10Hp | | 103 SPOT 20/21 |
| | 118 90019200 | Spot Control Panel 5.5Hp | | 103 SPOT 15/15 |
| | 118 90019100 | Spot Elec Control Panel 3Hp | | 103 SPOT 10/12 |
| 9a | 165 P4P20ASP TWM | Plug 4 pin 3 Phase 20amp (A36) | 1 | 103 SPOT 20/15 |
| | 165 P4P20ASP TWM | Plug 4 pin 3 Phase 20amp (A36) | | 103 SPOT 15/21 |
| | 165 P4P32ASP TWM | Plug 4 pin 3 Phase 32amp (A36) | | 103 SPOT 20/21 |
| | 165 P4P10ASP TWM | Plug 4 pin Three Phase 10amp | | 103 SPOT 15/15 |
| 9b | 165 439S15HD | Plugs 3pin 240V 15 amp HD CL | 1 | 103 SPOT 10/12 |

| | | | | | | | |
|---|-----------|----------|-----------|------------------------------------|--|---|--|
| UNLESS OTHERWISE SPECIFIED: DIMENSIONS ARE IN MILLIMETERS SURFACE FINISH: TOLERANCES: LINEAR: ANGULAR: | | FINISH: | | DEBURR AND BREAK SHARP EDGES | |  | |
| NAME | SIGNATURE | DATE | REVISIONS | PART NO. / PRODUCT | | | |
| DRAWN Kishwar A | | 20/07/22 | | 103 SPOT Pressure Washer | | | |
| CHK'D Dominic R | | | | DESCRIPTION | | | |
| APPVD Daryl B | | | | Major Components parts list | | | |
| MFG | | | | A3 | | | |
| Q.A | | | | WEIGHT: | | | |
| | | | | SCALE:1:50 | | | |
| | | | | SHEET 3 OF 14 | | | |

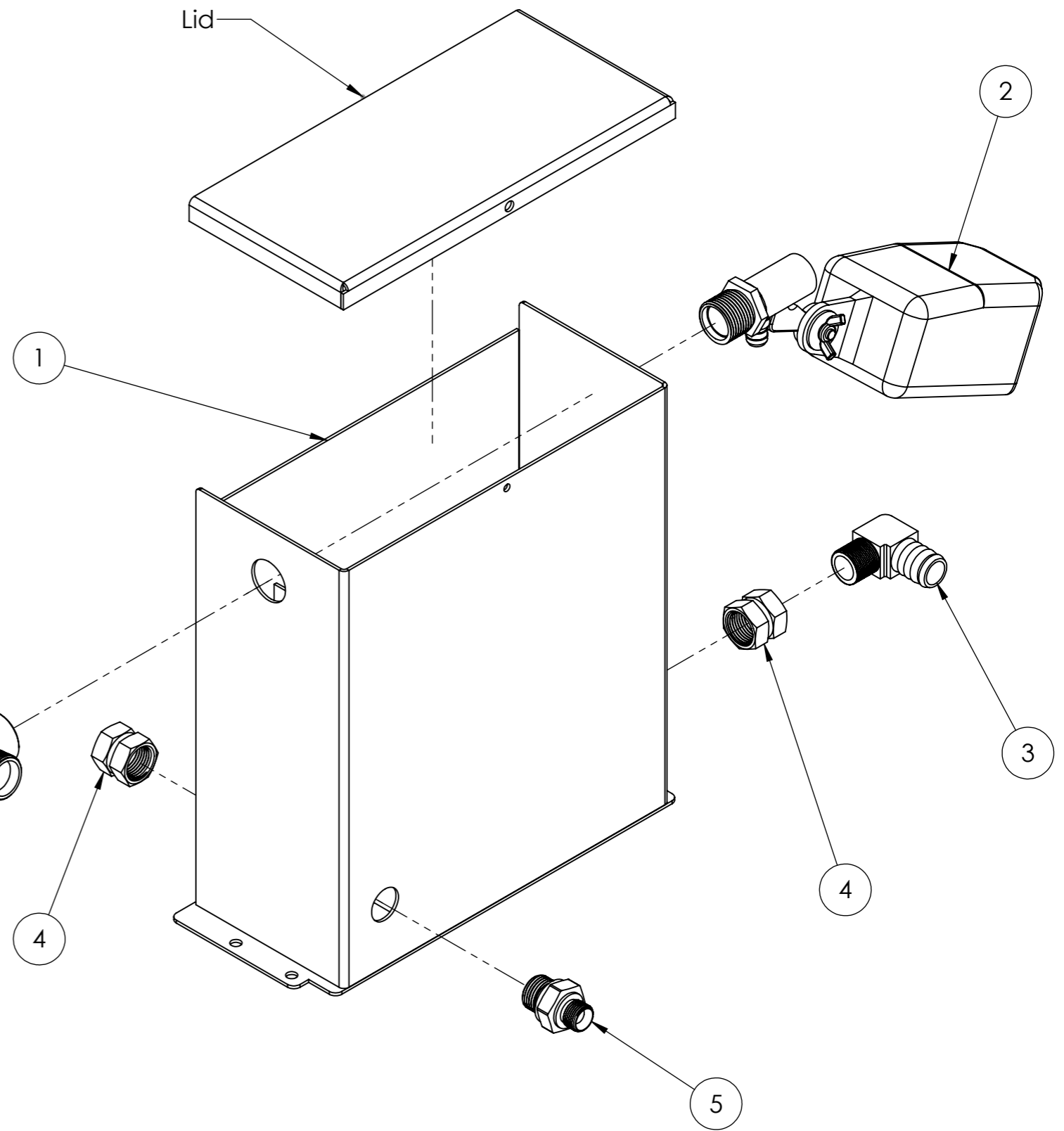
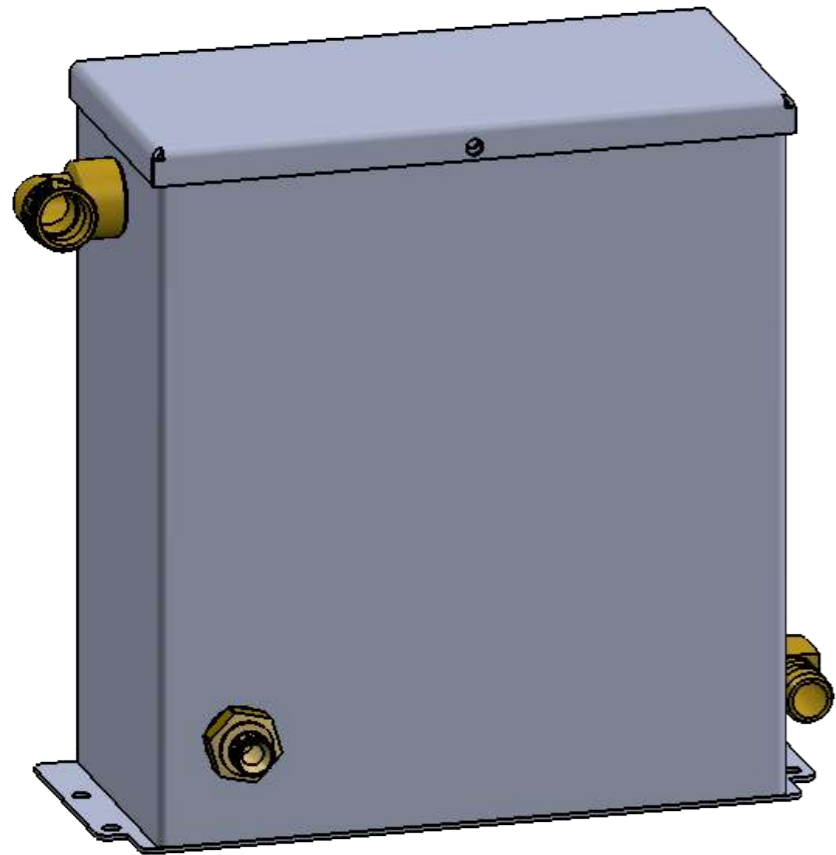
8 7 6 5 4 3 2 1

| ITEM NO. | PART NUMBER | DESCRIPTION | QTY. | NOTES |
|----------|--------------------------------|-----------------------------|------|----------------------------------|
| 1 | 145 30.2607.11 | Gun & Extn RL300 (D25) | 1 | - |
| 2 | 145 41.0920.00 | Lance Molded 500mm SS (D15) | 1 | - |
| 3 | 125 85.240.300N | Soaper Nozzle-Std Npt Brass | 1 | - |
| 4a | 145 16.1325.45S | Nozzle Meg 25 045 | 1 | 103 SPOT 10/12 103 SPOT 20/15 |
| 4b | 145 16.1325.55B | Nozzle Meg 25 055 BAR | 1 | 103 SPOT 15/15 |
| 4c | 145 16.1325.60B | Nozzle Meg 25 060 BAR | 1 | 103 SPOT 20/21 |
| 4d | 145 16.1325.75S | Nozzle Meg 25 075 | 1 | 103 SPOT 15/21 |
| 5a | 165 R2J400 15MG 3/8Mx3/8 Fs | Hose Grey R2 15m | 1 | 103 SPOT 15/15 103 SPOT 20/15 |
| 5b | 165 R2J400 10MG 3/8Mx3/8 Fs | Hose Grey R2 10m | 1 | 103 SPOT 10/12 103 SPOT 20/21 |
| 5c | 165 R1J400 15MG QC | Hose R1 3/8 Grey QC | 1 | 103 SPOT 15/21 |




| | | | | | | | |
|---|-----------|----------|-----------|------------------------------------|--|---|--|
| UNLESS OTHERWISE SPECIFIED: DIMENSIONS ARE IN MILLIMETERS SURFACE FINISH: TOLERANCES: LINEAR: ANGULAR: | | FINISH: | | DEBURR AND BREAK SHARP EDGES | |  | |
| NAME | SIGNATURE | DATE | REVISIONS | PART NO. / PRODUCT | | | |
| DRAWN Kishwar A | | 20/10/22 | | 103 SPOT Pressure Washer | | Description Accessories List A3 | |
| CHK'D Dominic R | | | | SCALE:1:20 | | | |
| APPVD Daryl B | | | | WEIGHT: | | SHEET 4 OF 14 | |
| MFG | | | | | | | |
| Q.A | | | | | | | |

NOTE: Same water tank assembly is used for all versions.

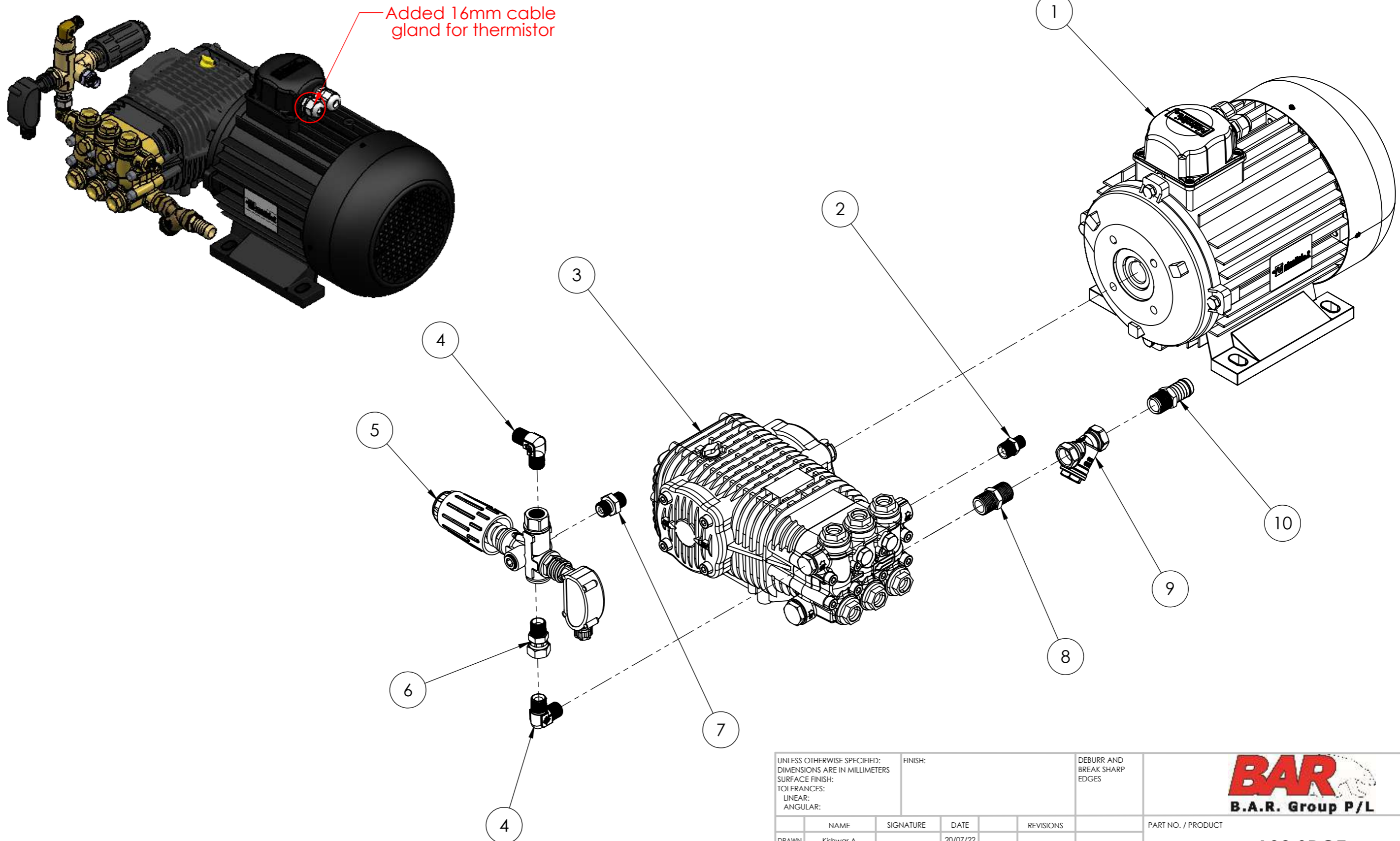



| ITEM NO. | PART NUMBER | DESCRIPTION | QTY. |
|----------|----------------|--------------------------------|------|
| 1 | 118 44710000 | Spot Stainless Water Tank | 1 |
| 2 | 147 1162010400 | Float Valve 3/4 BSPm Brass Bdy | 1 |
| 3 | 165 P61208 | F Barb Elbow 1/2 BSP x 3/4 | 1 |
| 4 | 165 03292103 | B Socket 1/2 FF brass | 2 |
| 5 | 148 570 88 | Reduction Nipple 3/8-1/2 Zinc | 1 |
| 6 | 165 03305100 | B Elbow 3/4 M&F 90deg brass | 1 |

| | | | | | |
|---|-----------|----------|------------------------------------|---|--|
| UNLESS OTHERWISE SPECIFIED: DIMENSIONS ARE IN MILLIMETERS SURFACE FINISH: TOLERANCES: LINEAR: ANGULAR: | | FINISH: | DEBURR AND BREAK SHARP EDGES |  | |
| NAME | SIGNATURE | DATE | REVISIONS | | |
| DRAWN | Kishwar A | 20/07/22 | | 103 SPOT Water Tank Assembly | |
| CHK'D | Dominic R | | | DESCRIPTION | |
| APPVD | Daryl B | | | Exploded Component view | |
| MFG | | | | A3 | |
| Q.A | | | MATERIAL: | SCALE:1:10 | |
| | | | WEIGHT: | SHEET 5 OF 14 | |

8 7 6 5 4 3 2 1

NOTE: This motor-pump orientation is applicable for **103 SPOT 20/15; 103 SPOT 15/21 & 103 SPOT 20/21.**



| | | | | | | | | | |
|---|--|-----------|--|-----------|--|------------------------------------|--|--|--|
| UNLESS OTHERWISE SPECIFIED: DIMENSIONS ARE IN MILLIMETERS SURFACE FINISH: TOLERANCES: LINEAR: ANGULAR: | | | | FINISH: | | DEBURR AND BREAK SHARP EDGES | |  103 SPOT Motor-Pump Assembly | |
| DRAWN | | Kishwar A | | SIGNATURE | | DATE | | | |
| CHK'D | | Dominic R | | SIGNATURE | | DATE | | 103 SPOT Motor-Pump Assembly | |
| APPVD | | Daryl B | | SIGNATURE | | DATE | | DESCRIPTION | |
| MFG | | | | SIGNATURE | | DATE | | Exploded Component view | |
| Q.A | | | | SIGNATURE | | DATE | | A3 | |
| | | | | MATERIAL: | | | | SCALE:1:20 | |
| | | | | WEIGHT: | | | | SHEET 6 OF 14 | |

8 7 6 5 4 3 2 1

8 7 6 5 4 3 2 1

F

F

E

E

D

D

C

C


B

B

A

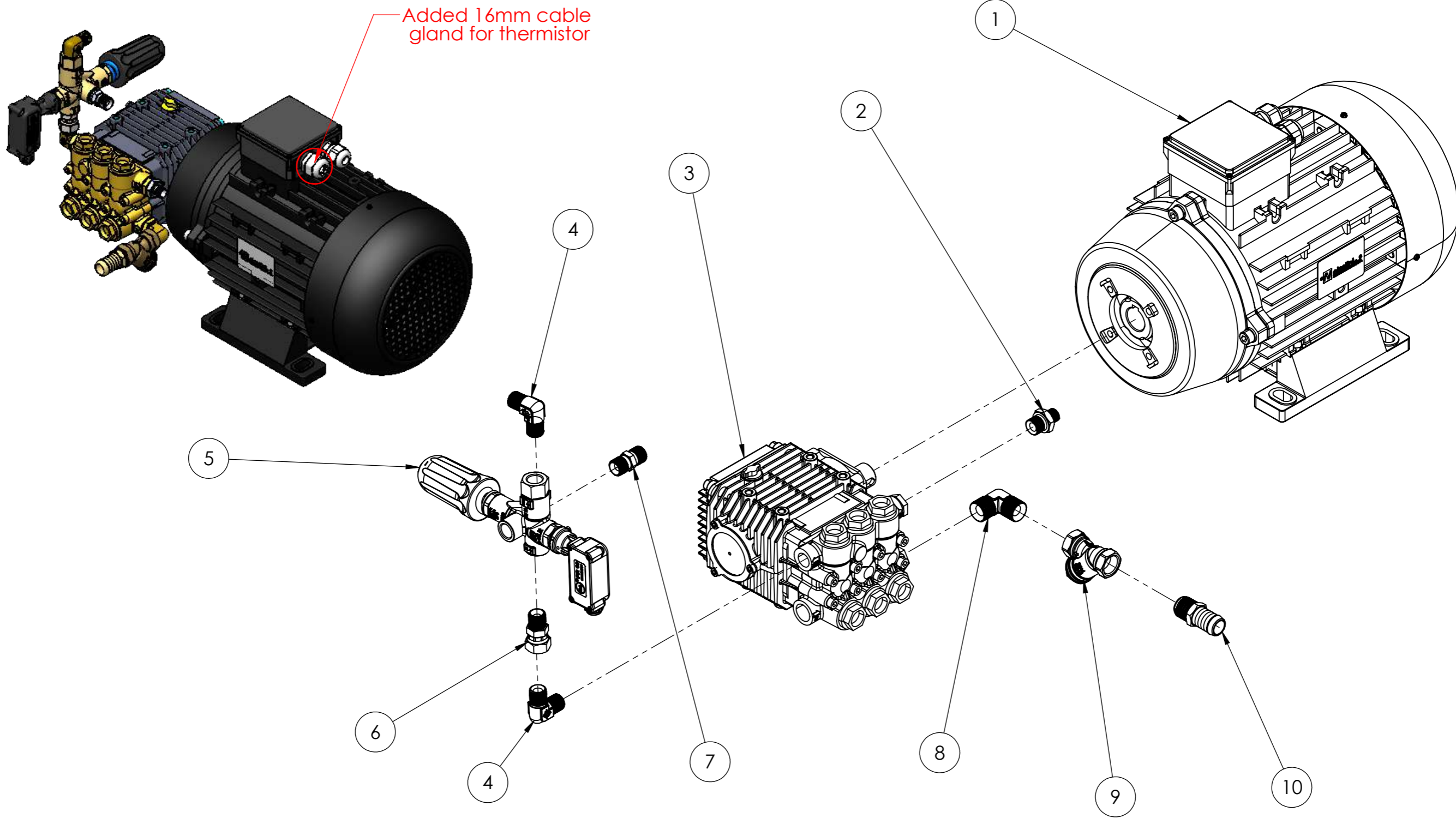
A


| ITEM NO. | PART NUMBER | DESCRIPTION | QTY. | NOTES |
|----------|---------------------|--------------------------------|------|----------------|
| 1 | 165 T41125/5IN1C2K0 | Nic 5.5kW Hollow Shaft | 1 | 103 SPOT 20/15 |
| | 165 T41125/5NR1C3KG | Nic 5.5kW Elastic Joint | | 103 SPOT 15/21 |
| | 165 T41337/5IN1C4KO | Nic 7.5kW Hollow Shaft | | 103 SPOT 20/21 |
| 2 | 147 35.0248 | Nipple Brass 1/4 x 3/8 Inch M | 1 | 103 SPOT 20/15 |
| | 148 570.58 | Reduction Nipple 1/4-3/8 Zinc | | 103 SPOT 15/21 |
| | 148 570.58 | Reduction Nipple 1/4-3/8 Zinc | | 103 SPOT 20/21 |
| 3 | 210 RW4030S | Comet Pump | 1 | 103 SPOT 20/15 |
| | 210 RW5530S | Comet Pump | | 103 SPOT 15/21 |
| | 212 WS202 RX | IP 21L/min-2900psi-1450rpm | | 103 SPOT 20/21 |
| 4 | 147 1204050128 | Elbow MM | 2 | - |
| 5 | 155 4072000007 | Unloader VRT3-P C/w Switch | 1 | - |
| 6 | 165 AAM-0606 | Swivel Adaptor 3/8M/FS (D01) | 1 | - |
| 7 | 147 35.0247SS | Nipple - 3/8 Male SS | 1 | - |
| 8 | 165 03306206 | Nipple - Hex 1/2 brass (D01) | 1 | - |
| 9 | 125 85.801.001 | Strainer Y Brass 1/2 small | 1 | 103 SPOT 20/15 |
| | 147 1171090233 | Y Strainer 1/2 BspF x 1/2 Bs | | 103 SPOT 15/21 |
| | 125 85.801.001 | Strainer Y Brass 1/2 small | | 103 SPOT 20/21 |
| 10 | 165 P31208 | F Hose Barb 3/4 x 1/2BspM | 1 | 103 SPOT 20/15 |
| | 165 P31208 | F Hose Barb 3/4 x 1/2BspM | | 103 SPOT 15/21 |
| | 165 03560505 | B Hose Barb 3/4 In 1/2 In Tail | | 103 SPOT 20/21 |

| | | | | | | | | |
|---|--|-----------|---------|------------------|------------------------------------|--|---|--|
| UNLESS OTHERWISE SPECIFIED: DIMENSIONS ARE IN MILLIMETERS SURFACE FINISH: TOLERANCES: LINEAR: ANGULAR: | | | FINISH: | | DEBURR AND BREAK SHARP EDGES | |  | |
| DRAWN Kishwar A | | SIGNATURE | | DATE 20/07/22 | | PART NO. / PRODUCT | | |
| CHK'D Dominic R | | | | | | 103 SPOT Motor-Pump Assembly | | |
| APPVD Daryl B | | | | | | | | |
| MFG | | | | | | DESCRIPTION Exploded Component parts list | | |
| Q.A | | | | | | | | |
| | | | | MATERIAL: | | A3 | | |
| | | | | WEIGHT: | | SCALE:1:20 | | |
| | | | | | | SHEET 7 OF 14 | | |

8 7 6 5 4 3 2 1


NOTE: This motor-pump orientation is applicable for **103 SPOT 10/12** & **103 SPOT 15/15**.



| | | | | | | | | | |
|---|--|-----------|--|-----------|--|------------------------------------|--|---|--|
| UNLESS OTHERWISE SPECIFIED: DIMENSIONS ARE IN MILLIMETERS SURFACE FINISH: TOLERANCES: LINEAR: ANGULAR: | | | | FINISH: | | DEBURR AND BREAK SHARP EDGES | |  | |
| DRAWN | | NAME | | SIGNATURE | | DATE | | | |
| CHK'D | | Dominic R | | | | 20/07/22 | | 103 SPOT Motor-Pump Assembly | |
| APPVD | | Daryl B | | | | | | | |
| MFG | | | | | | | | DESCRIPTION Exploded Component view | |
| Q.A | | | | | | MATERIAL: | | | |
| | | | | | | WEIGHT: | | SCALE:1:20 | |
| | | | | | | | | SHEET 8 OF 14 | |

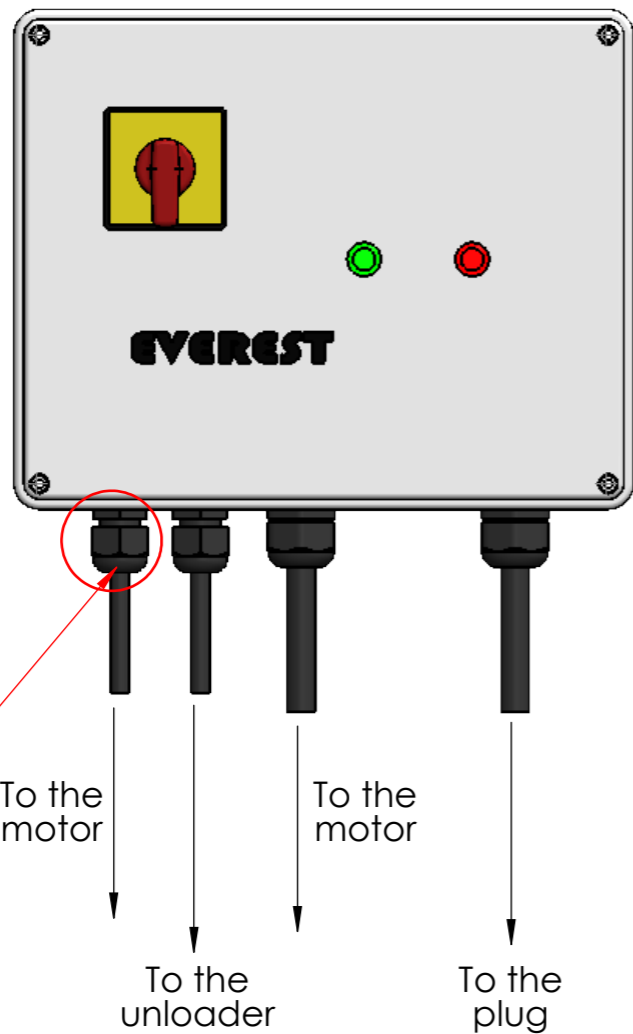
8 7 6 5 4 3 2 1

| ITEM NO. | PART NUMBER | DESCRIPTION | QTY. | NOTES |
|----------|---------------------|-------------------------------|------|----------------|
| 1 | 165 M41122/2NR8C3KG | Nic 2.2kW (1Ph) Elastic Joint | 1 | 103 SPOT 10/12 |
| | 165 T41124/ONR1C3KG | Nic 4.0kW Elastic Joint | | 103 SPOT 15/15 |
| 2 | 148 570 58 | Reduction Nipple 1/4-3/8 Zinc | 1 | - |
| 3 | 210 LW3020S | Comet Pump 2000 psi 11 l/m | 1 | 103 SPOT 10/12 |
| | 210 RW4030S | Comet Pump | | 103 SPOT 15/15 |
| 4 | 147 1204050128 | Elbow MM | 2 | - |
| 5 | 145 60.0006.60 | Unloader Pulsar Rv C/w Switch | 1 | 103 SPOT 10/12 |
| | 155 4072000007 | Unloader VRT3-P C/w Switch | | 103 SPOT 15/15 |
| 6 | 165 AAM-0606 | Swivel Adaptor 3/8M/FS (D01) | 1 | - |
| 7 | 148 570 78 | Double Nipple 3/8 | 1 | 103 SPOT 10/12 |
| | 147 35.0247SS | Nipple - 3/8 Male SS | | 103 SPOT 15/15 |
| 8 | 147 1204050142 | Elbow MM | 1 | 103 SPOT 10/12 |
| | 145 12.2020.00 | Elbow 1/2M x 1/2M | | 103 SPOT 15/15 |
| 9 | 125 85.801.001 | Strainer Y Brass 1/2 small | 1 | 103 SPOT 10/12 |
| | 147 1171090233 | Y Strainer 1/2 BspF x 1/2 Bs | | 103 SPOT 15/15 |
| 10 | 165 P31208 | F Hose Barb 3/4 x 1/2BspM | 1 | - |

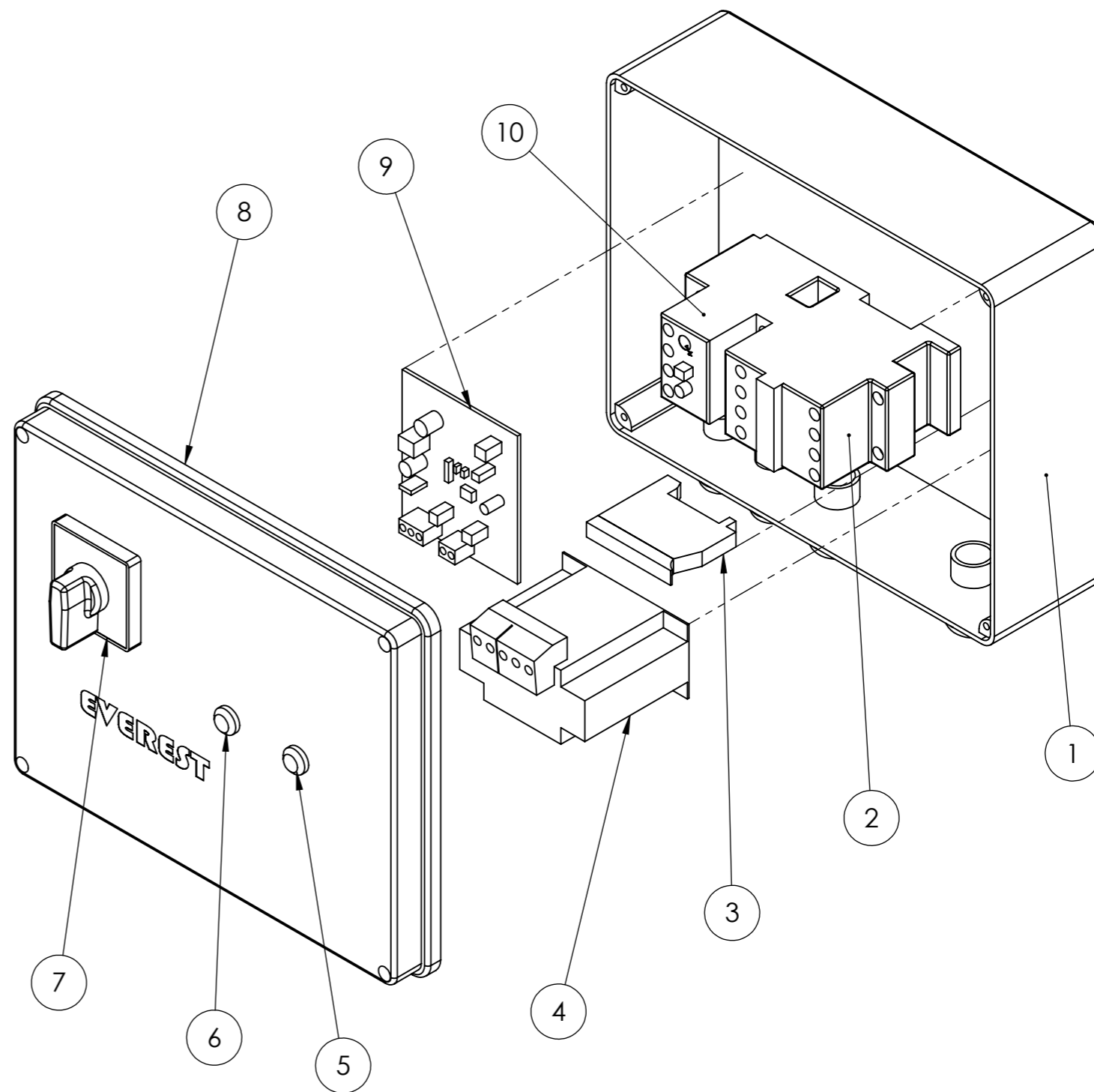
| | | | | | | | |
|---|-----------|----------|-----------|--|--|---|--|
| UNLESS OTHERWISE SPECIFIED: DIMENSIONS ARE IN MILLIMETERS SURFACE FINISH: TOLERANCES: LINEAR: ANGULAR: | | FINISH: | | DEBURR AND BREAK SHARP EDGES | |  | |
| NAME | SIGNATURE | DATE | REVISIONS | PART NO. / PRODUCT | | | |
| DRAWN Kishwar A | | 20/07/22 | | 103 SPOT Motor-Pump Assembly | | | |
| CHK'D Dominic R | | | | | | | |
| APPVD Daryl B | | | | DESCRIPTION Exploded Component parts list | | | |
| MFG | | | | | | | |
| Q.A | | | | MATERIAL: | | A3 | |
| | | | | WEIGHT: | | | |
| | | | | SCALE:1:20 | | SHEET 9 OF 14 | |

8 7 6 5 4 3 2 1


NOTE: This control panel drawing is applicable for **103 SPOT 10/12**.



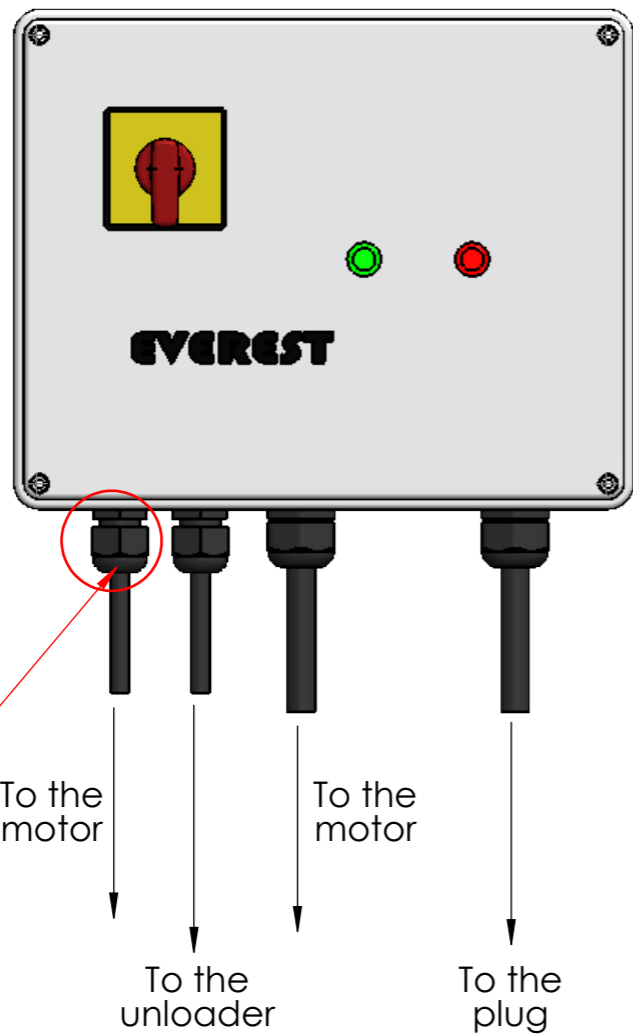
Added 16mm cable gland for thermistor



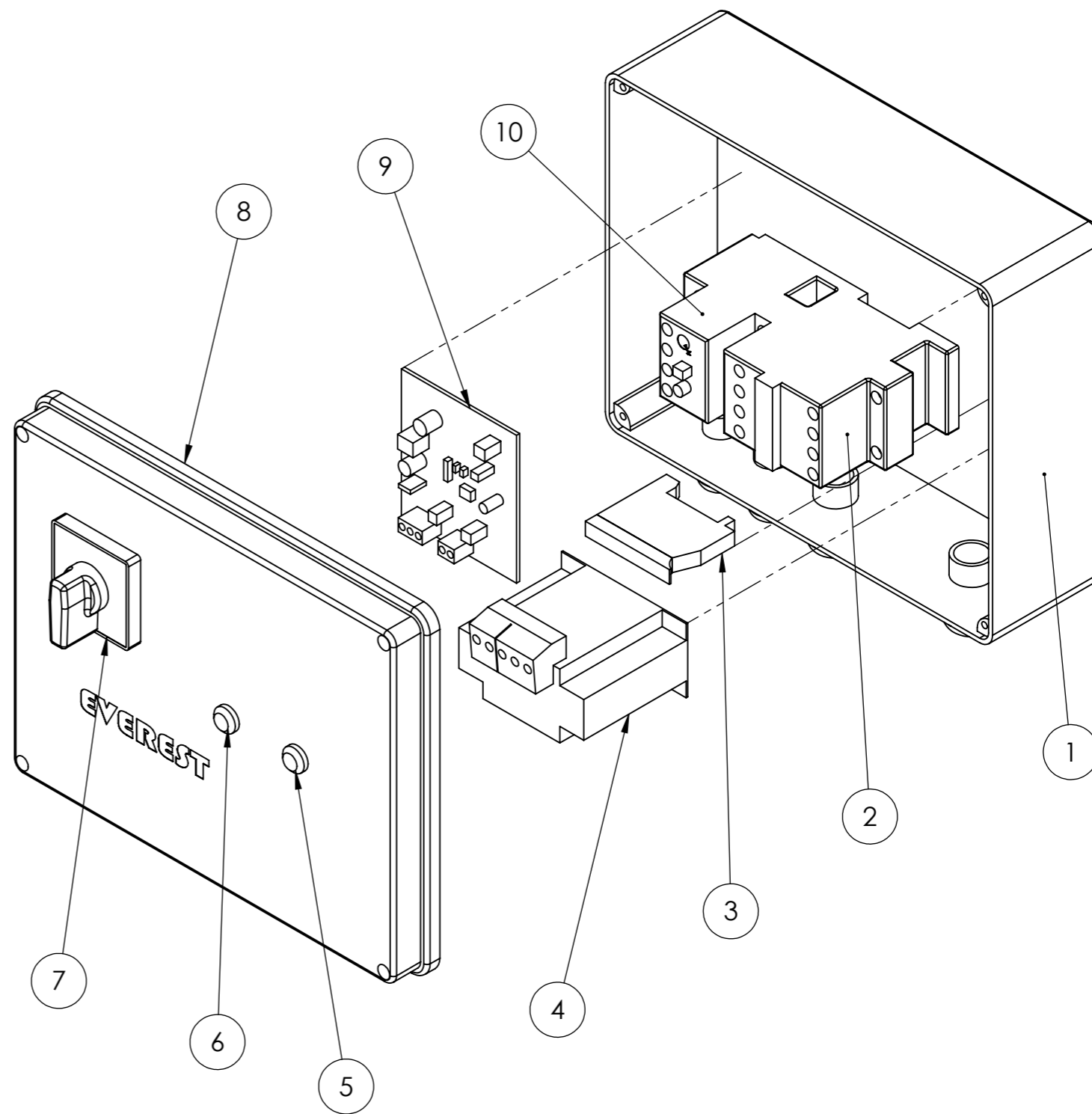
| ITEM NO. | PART NUMBER | DESCRIPTION | QTY. |
|----------|-------------|---------------|------|
| 1 | - | Enclosure | 1 |
| 2 | - | Contactor | 1 |
| 3 | - | Fuseholder | 1 |
| 4 | - | Transformer | 1 |
| 5 | - | Red LED | 1 |
| 6 | - | Green LED | 1 |
| 7 | - | On-Off Switch | 1 |
| 8 | - | Lid | 1 |
| 9 | - | Circuitboard | 1 |
| 10 | - | Thermal relay | 1 |

| | | | | | | | | | |
|---|--|------------------|---------|------------------|------------------------------------|-------------|---|--------------------|--|
| UNLESS OTHERWISE SPECIFIED: DIMENSIONS ARE IN MILLIMETERS SURFACE FINISH: TOLERANCES: LINEAR: ANGULAR: | | | FINISH: | | DEBURR AND BREAK SHARP EDGES | |  118 90019100 Spot Elec Control Panel 3Hp | | |
| DRAWN Kishwar A | | SIGNATURE | | DATE 20/07/22 | | REVISIONS | | | |
| CHK'D Dominic R | | APPVD Daryl B | | MFG | | Q.A | | PART NO. / PRODUCT | |
| | | | | MATERIAL: | | DESCRIPTION | | A3 | |
| | | | | WEIGHT: | | SCALE:1:5 | | SHEET 10 OF 14 | |


NOTE: This control panel drawing is applicable for **103 SPOT 15/15**.



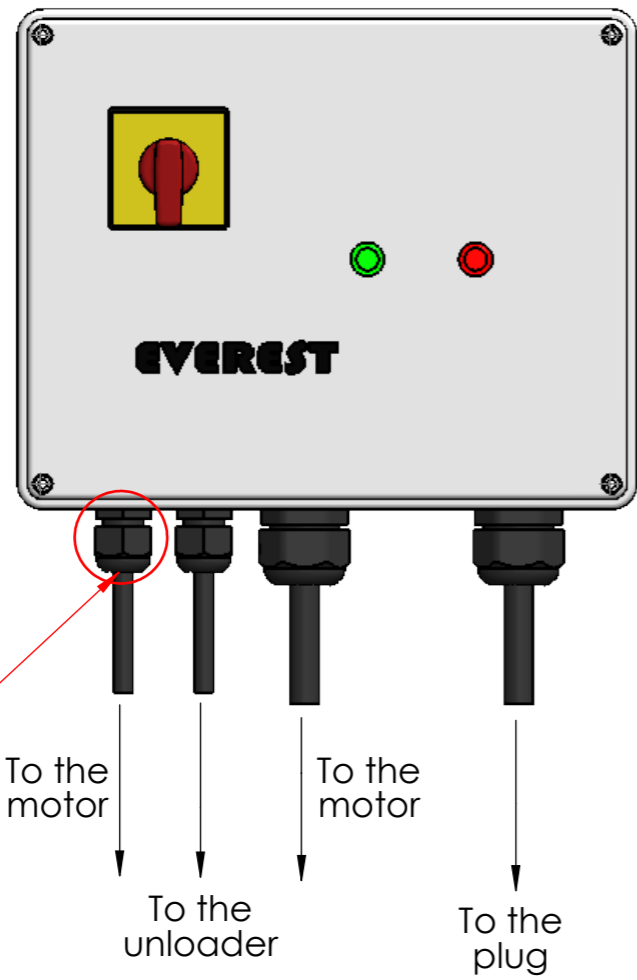
Added 16mm cable gland for thermistor



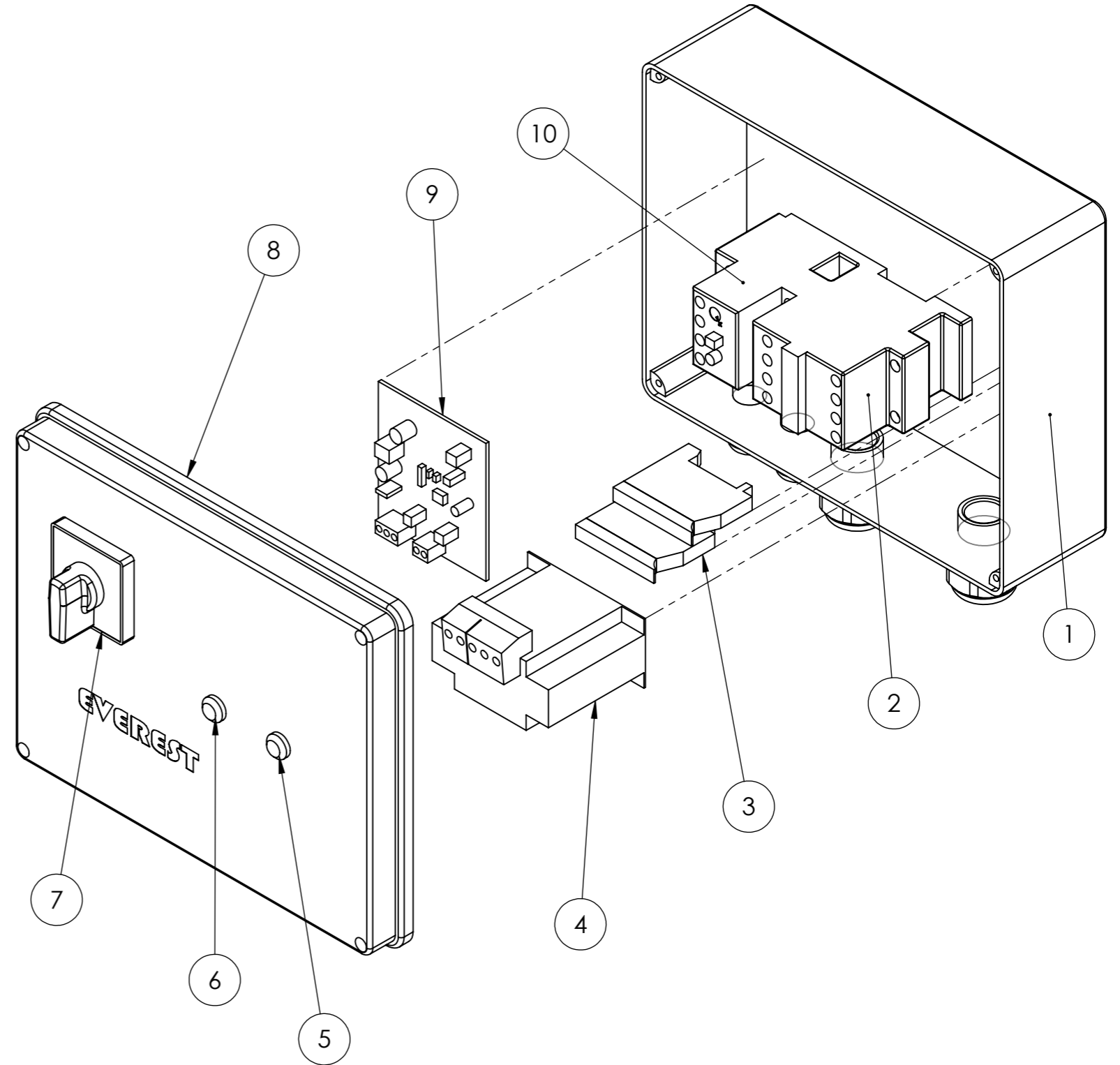
| ITEM NO. | PART NUMBER | DESCRIPTION | QTY. |
|----------|-------------|---------------|------|
| 1 | - | Enclosure | 1 |
| 2 | - | Contactor | 1 |
| 3 | - | Fuseholder | 1 |
| 4 | - | Transformer | 1 |
| 5 | - | Red LED | 1 |
| 6 | - | Green LED | 1 |
| 7 | - | On-Off Switch | 1 |
| 8 | - | Lid | 1 |
| 9 | - | Circuitboard | 1 |
| 10 | - | Thermal relay | 1 |

| | | | | | | | | | |
|---|--|------------------|---------|------------------|------------------------------------|-------------|--|--------------------|--|
| UNLESS OTHERWISE SPECIFIED: DIMENSIONS ARE IN MILLIMETERS SURFACE FINISH: TOLERANCES: LINEAR: ANGULAR: | | | FINISH: | | DEBURR AND BREAK SHARP EDGES | |  118 90019200 Spot Control Panel 5.5Hp | | |
| DRAWN Kishwar A | | SIGNATURE | | DATE 20/07/22 | | REVISIONS | | | |
| CHK'D Dominic R | | APPVD Daryl B | | MFG | | Q.A | | PART NO. / PRODUCT | |
| | | | | MATERIAL: | | DESCRIPTION | | A3 | |
| | | | | WEIGHT: | | SCALE:1:5 | | SHEET 11 OF 14 | |


NOTE: This control panel is applicable for **103 SPOT 20/15** & **103 SPOT 15/21**.



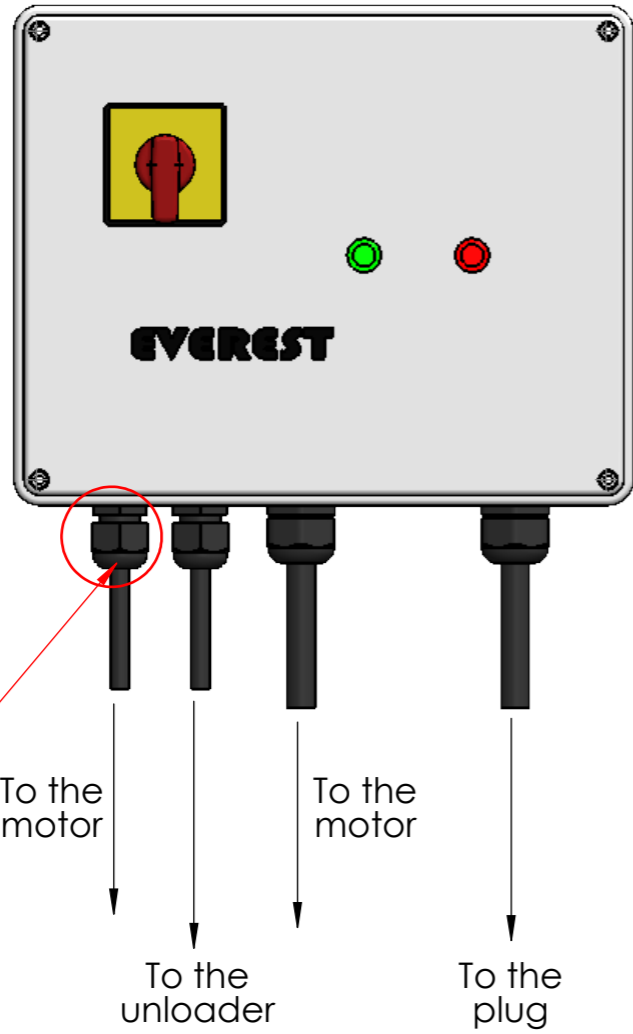
Added 16mm cable gland for thermistor



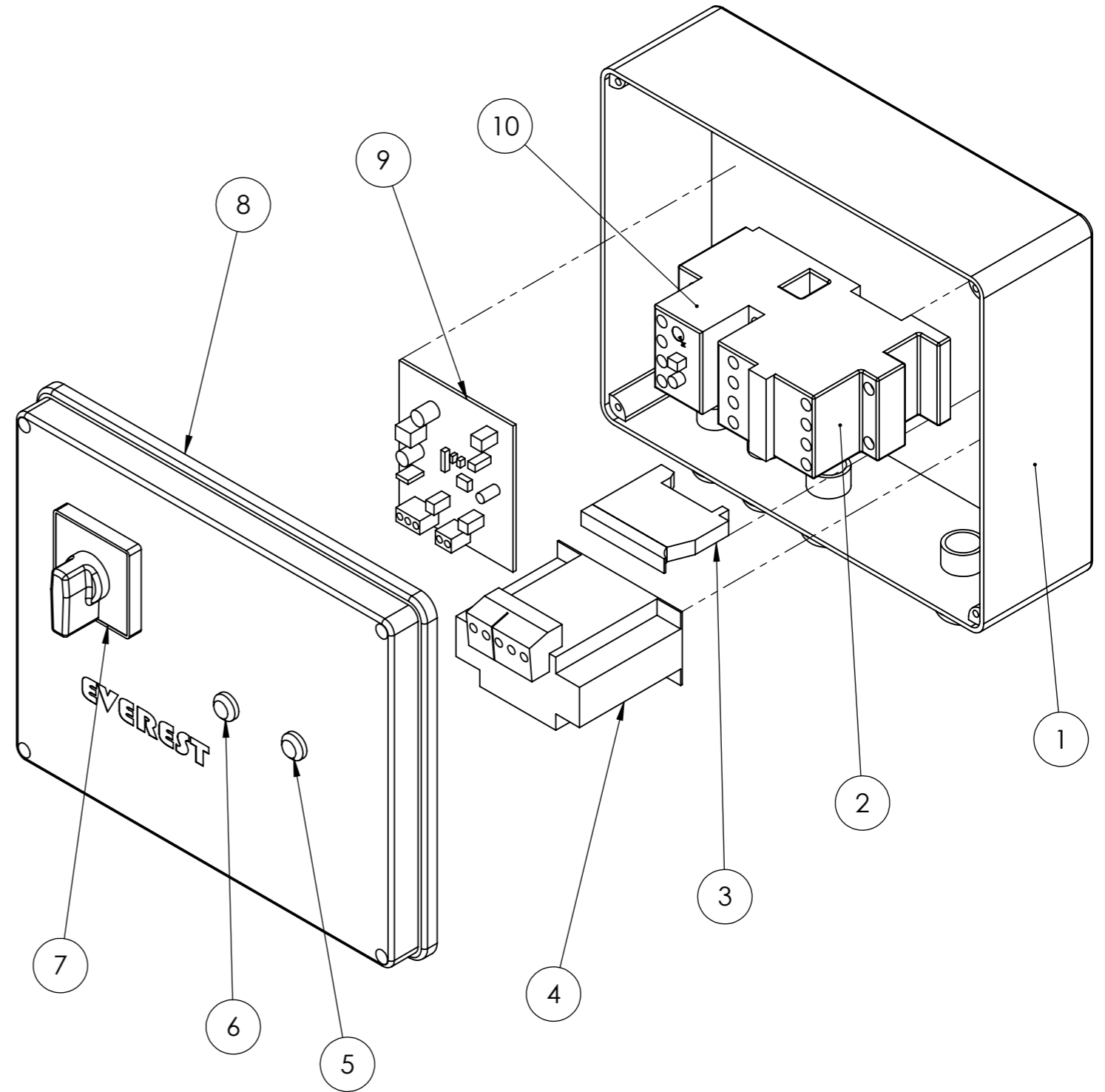
| ITEM NO. | PART NUMBER | DESCRIPTION | QTY. |
|----------|-------------|---------------|------|
| 1 | - | Enclosure | 1 |
| 2 | - | Contactor | 1 |
| 3 | - | Fuseholder | 2 |
| 4 | - | Transformer | 1 |
| 5 | - | Red LED | 1 |
| 6 | - | Green LED | 1 |
| 7 | - | On-Off Switch | 1 |
| 8 | - | Lid | 1 |
| 9 | - | Circuitboard | 1 |
| 10 | - | Thermal relay | 1 |

| | | | | | | | | | |
|---|--|-----------|--|---------|--|------------------------------------|--|---|--|
| UNLESS OTHERWISE SPECIFIED: DIMENSIONS ARE IN MILLIMETERS SURFACE FINISH: TOLERANCES: LINEAR: ANGULAR: | | | | FINISH: | | DEBURR AND BREAK SHARP EDGES | |  | |
| NAME | | SIGNATURE | | DATE | | REVISIONS | | | |
| DRAWN | | Kishwar A | | | | 20/07/22 | | 118 90019400 | |
| CHK'D | | Dominic R | | | | | | Spot Control Panel 7.5Hp (B) | |
| APPVD | | Daryl B | | | | | | DESCRIPTION | |
| MFG | | | | | | | | Exploded Component view | |
| Q.A | | | | | | | | A3 | |
| | | | | | | | | SCALE:1:5 | |
| | | | | | | | | SHEET 12 OF 14 | |


NOTE: This control panel drawing is applicable for **103 SPOT 20/21**.



Added 16mm cable gland for thermistor

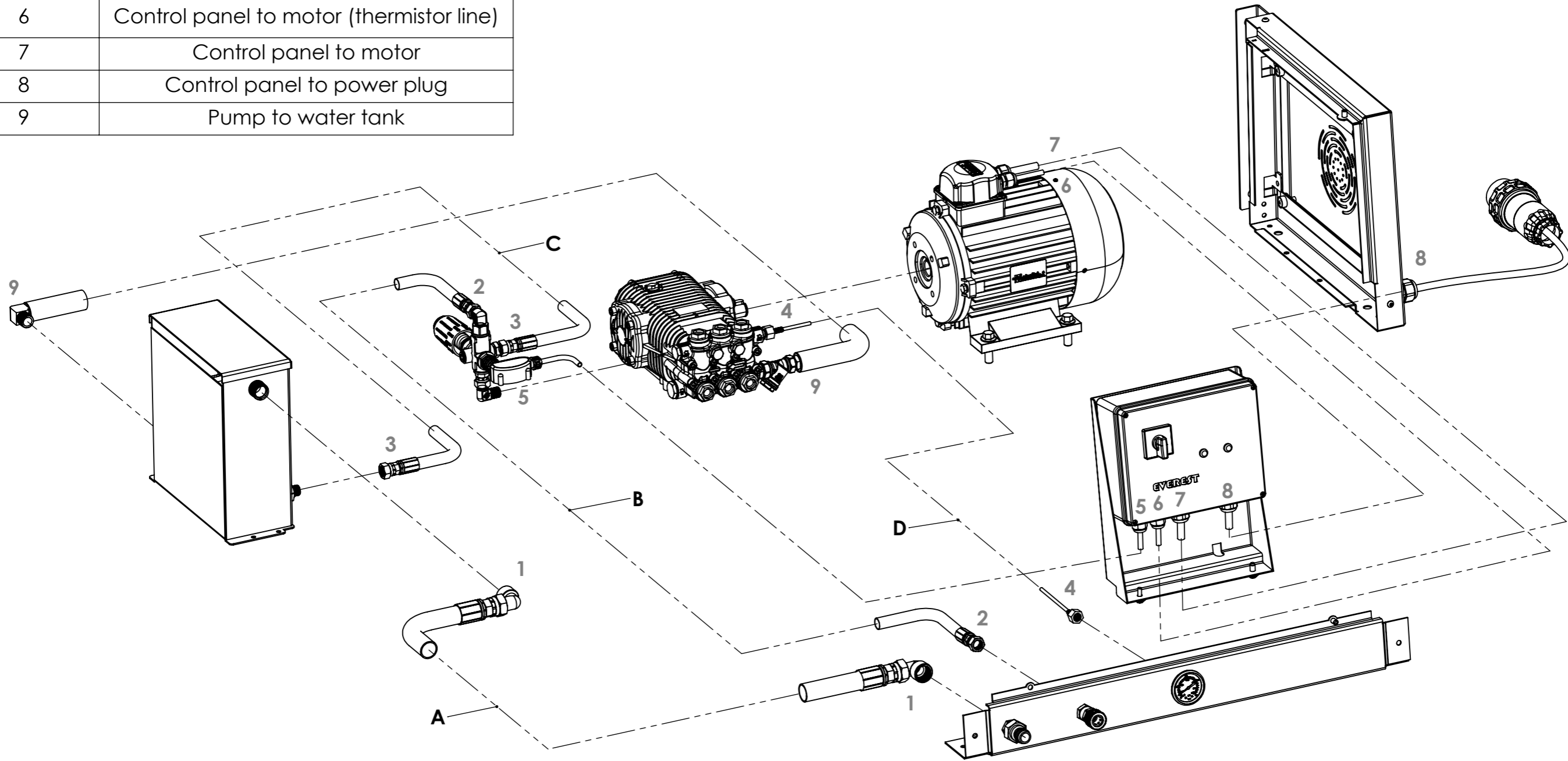


| ITEM NO. | PART NUMBER | DESCRIPTION | QTY. |
|----------|-------------|---------------|------|
| 1 | - | Enclosure | 1 |
| 2 | - | Contactor | 1 |
| 3 | - | Fuseholder | 1 |
| 4 | - | Transformer | 1 |
| 5 | - | Red LED | 1 |
| 6 | - | Green LED | 1 |
| 7 | - | On-Off Switch | 1 |
| 8 | - | Lid | 1 |
| 9 | - | Circuitboard | 1 |
| 10 | - | Thermal relay | 1 |


| | | | | | | | | | |
|---|--|-----------|---------|----------|------------------------------------|-----------|---|------------------------------|--|
| UNLESS OTHERWISE SPECIFIED: DIMENSIONS ARE IN MILLIMETERS SURFACE FINISH: TOLERANCES: LINEAR: ANGULAR: | | | FINISH: | | DEBURR AND BREAK SHARP EDGES | |  | | |
| NAME | | SIGNATURE | | DATE | | REVISIONS | | | |
| DRAWN | | Kishwar A | | 20/07/22 | | | | PART NO. / PRODUCT | |
| CHK'D | | Dominic R | | | | | | 118 90019300 | |
| APPVD | | Daryl B | | | | | | Spot Elec Control Panel 10Hp | |
| MFG | | | | | | | | DESCRIPTION | |
| Q.A | | | | | | | | Exploded Component view | |
| | | | | | | | | A3 | |
| | | | | | | | | SCALE:1:5 | |
| | | | | | | | | SHEET 13 OF 14 | |

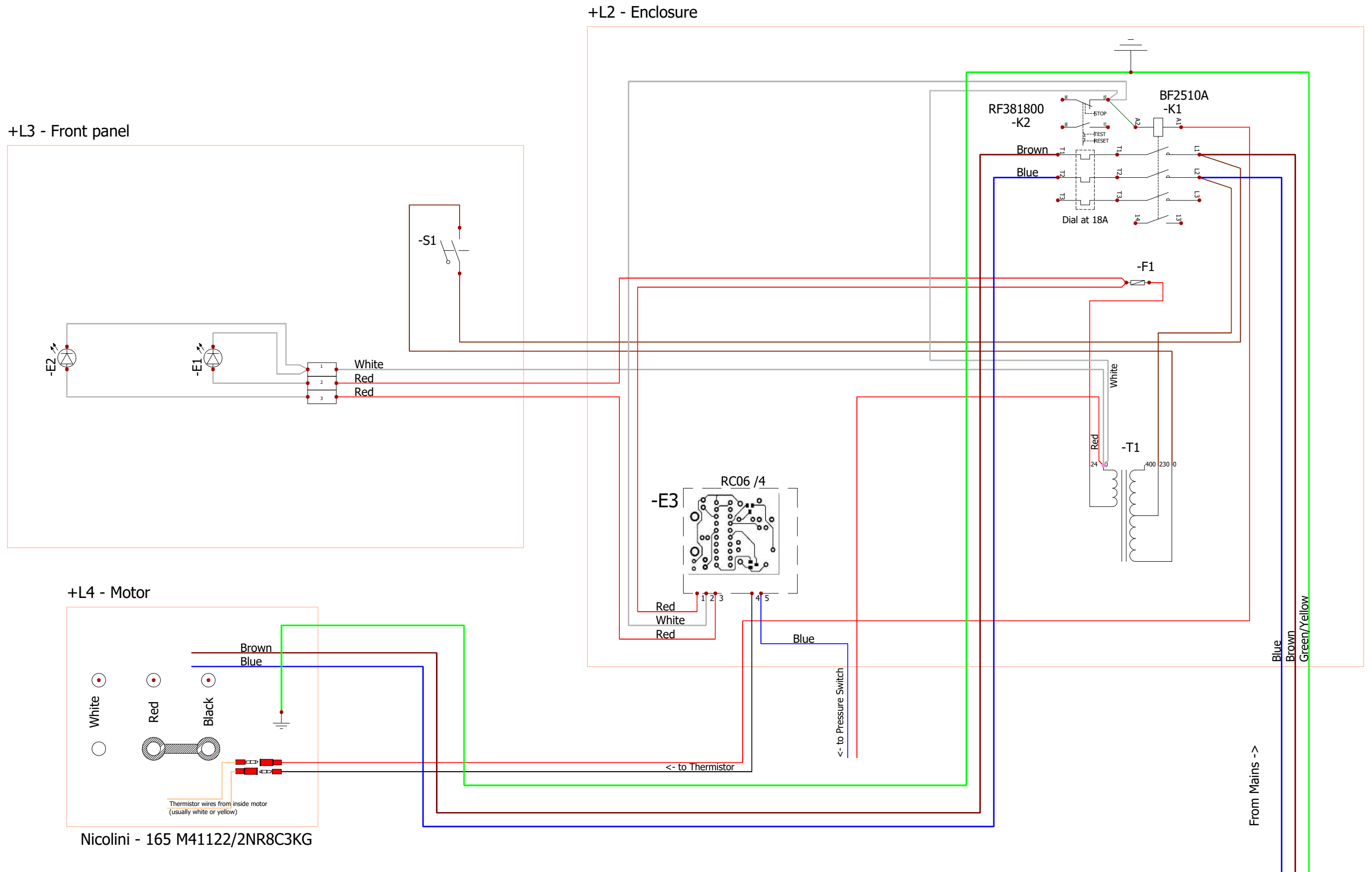
| CONNECTION | DESCRIPTION |
|------------|--|
| 1 | Inlet to water tank |
| 2 | Unloader to outlet coupler |
| 3 | Unloader to water tank bypass |
| 4 | Gauge to pump |
| 5 | Control panel to unloader |
| 6 | Control panel to motor (thermistor line) |
| 7 | Control panel to motor |
| 8 | Control panel to power plug |
| 9 | Pump to water tank |

| ITEM NO. | PART NUMBER | DESCRIPTION | QTY. |
|----------|-------------------|------------------------------|------|
| A | 118 62055500X | Inlet hose to Tank Spot | 1 |
| B | 118 62049900X | Hose unloader to outlet spot | 1 |
| C | 118 62049700X | By Pass hose Spot 610mm | 1 |
| D | 148 495 252 050 0 | Gauge line 500mm | 1 |



NOTE: Please refer to the tables for description of numbers and letters mentioned on the figure above. The dotted lines show "**pathways**" of hoses & cables.

| | | | | | | | | | |
|---|--|-----------|--|-----------|--|------------------------------------|--|---|--|
| UNLESS OTHERWISE SPECIFIED: DIMENSIONS ARE IN MILLIMETERS SURFACE FINISH: TOLERANCES: LINEAR: ANGULAR: | | | | FINISH: | | DEBURR AND BREAK SHARP EDGES | |  | |
| DRAWN | | NAME | | SIGNATURE | | DATE | | | |
| CHK'D | | Dominic R | | | | 20/07/22 | | 28/10/22 | |
| APPVD | | Daryl B | | | | | | | |
| MFG | | | | | | | | | |
| Q.A | | | | | | | | MATERIAL: | |
| | | | | | | | | WEIGHT: | |
| | | | | | | | | SCALE:1:20 | |
| | | | | | | | | SHEET 14 OF 14 | |
| PART NO. / PRODUCT | | | | | | | | DESCRIPTION | |
| | | | | | | | | A3 | |
| 103 SPOT Hose & Cable connections | | | | | | | | Connections Identification | |



118 90019100 - Control Panel

| REV. | DATE | NAME | CHANGES | REVISION |
|------|------------|------|---------|----------|
| 1 | 29/07/2022 | benH | | 1 |
| 0 | 30/06/2022 | BenH | | |
| 1 | 29/07/2022 | benH | | 1 |
| 0 | 30/06/2022 | BenH | | |
| REV. | DATE | NAME | CHANGES | SCHEME |
| 1 | 29/07/2022 | benH | | 04 |
| 0 | 30/06/2022 | BenH | | |

CONTRACT:

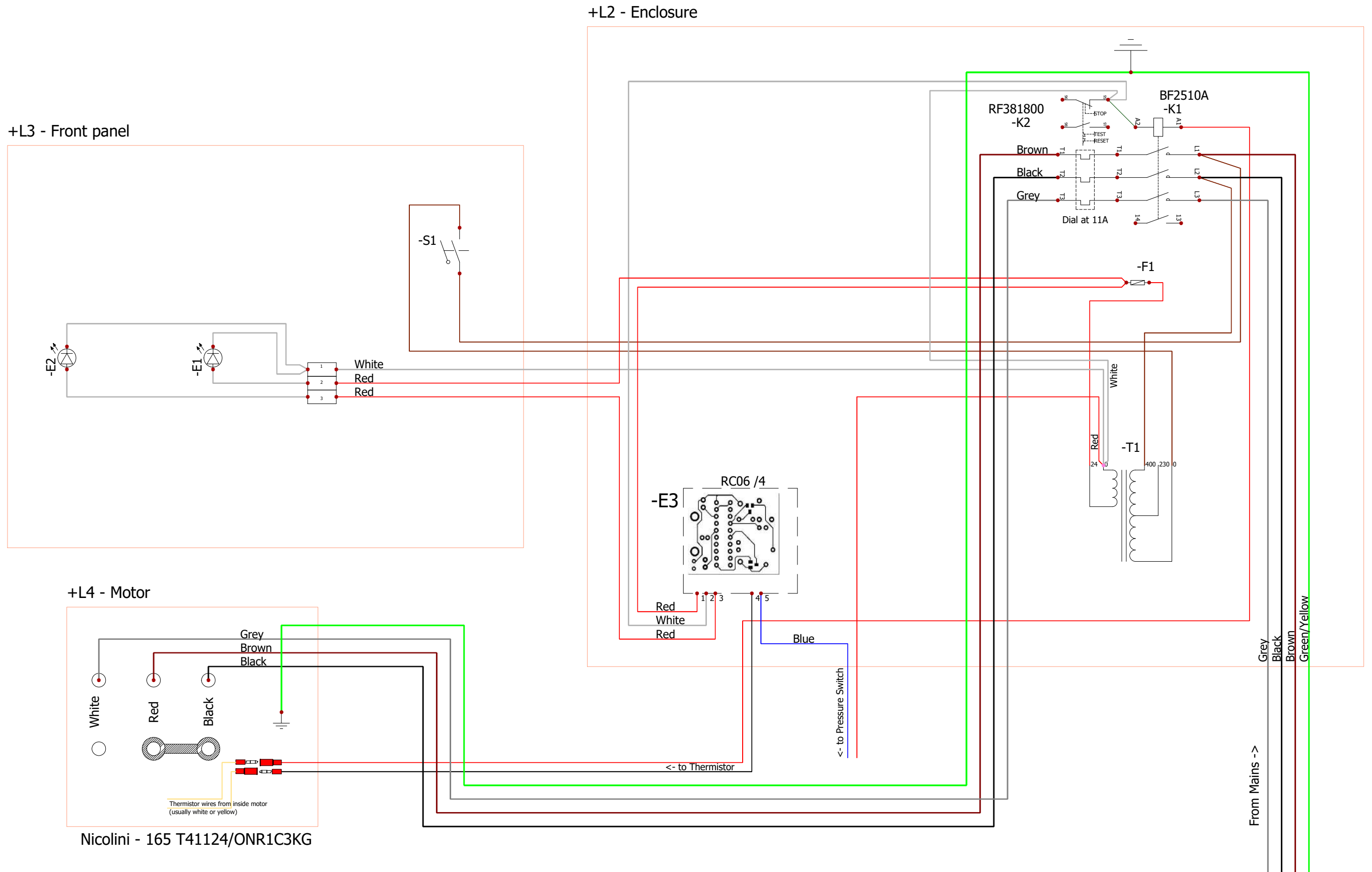
LOCATION:

+L1

Main electrical closet

User data 1
Spot Control Panel 3Hp (Single Phase)

User data 2



118 90019200 - Control Panel

| REV. | DATE | NAME | CHANGES | REVISION |
|------|------------|------|-------------|----------|
| 1 | 29/07/2022 | benH | | 1 |
| 0 | 8/07/2022 | benH | | |
| REV. | DATE | NAME | CHANGES | SCHEME |
| | | | User data 1 | 04 |
| | | | User data 2 | |

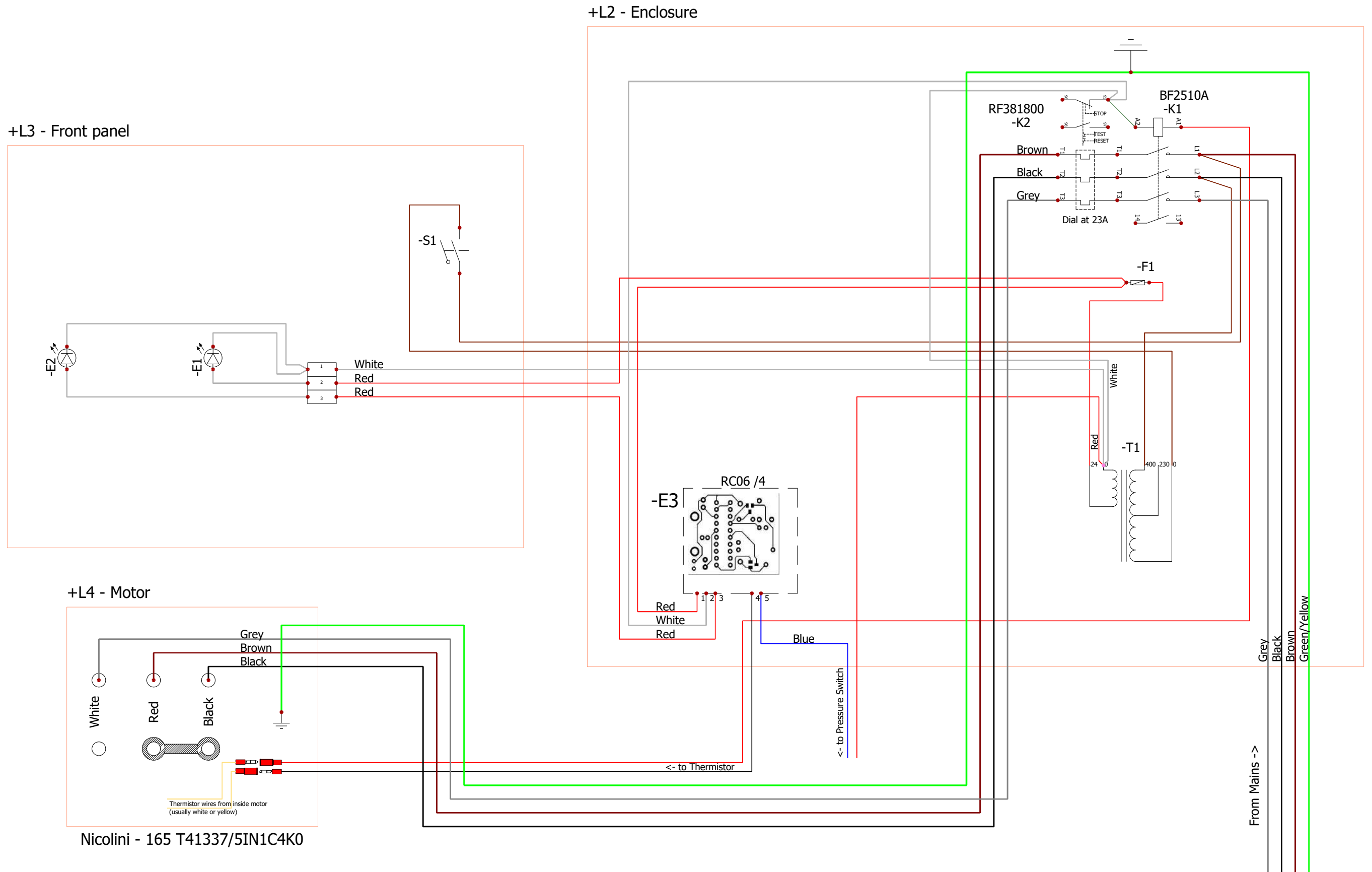
CONTRACT:

LOCATION:

+L1

Main electrical closet

Spot Control Panel 5.5Hp (Three Phase)



118 90019300 - Control Panel

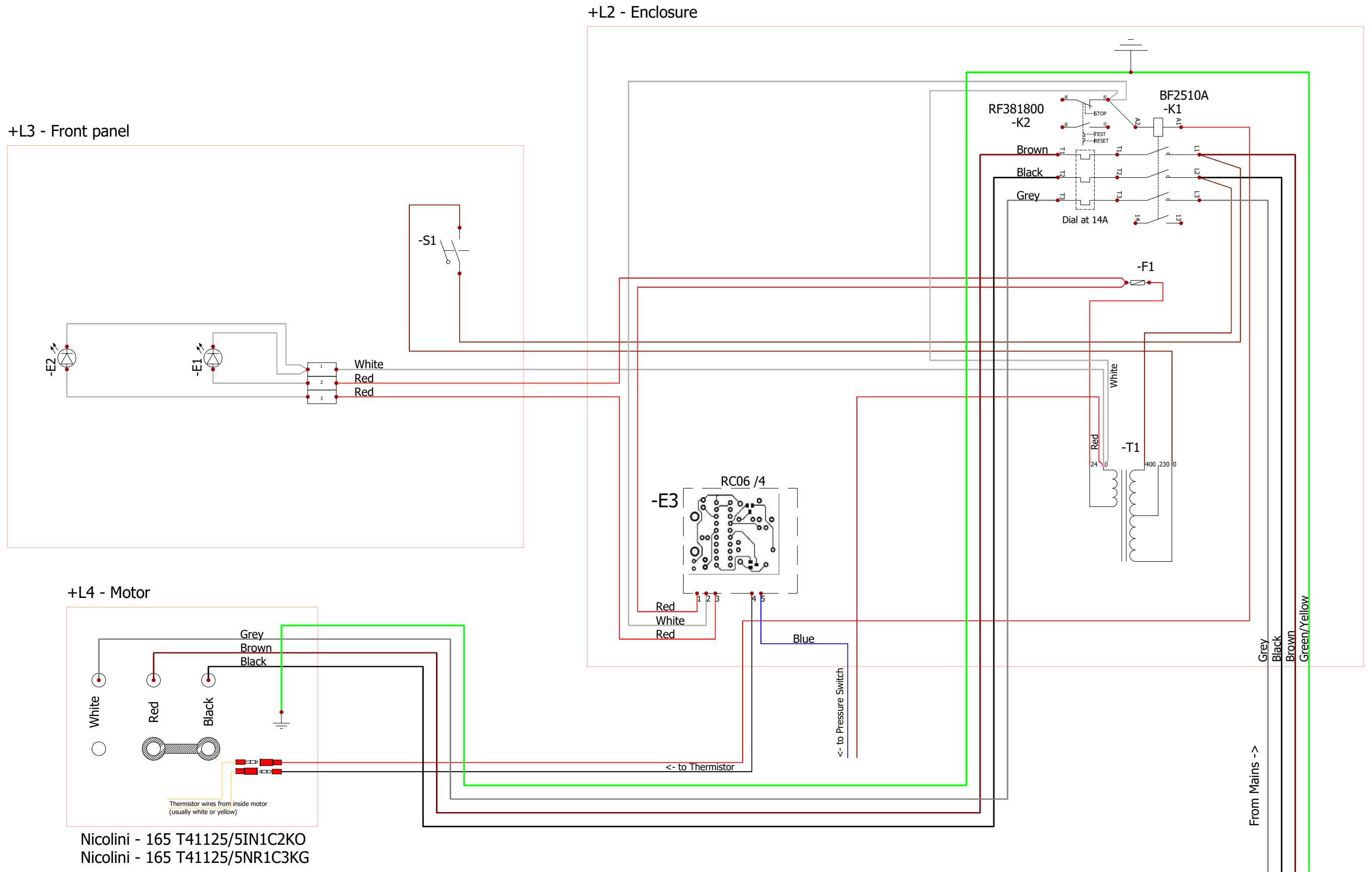
| REV. | DATE | NAME | CHANGES | REVISION |
|------|------------|------|---------|----------|
| 1 | 29/07/2022 | benH | | 1 |
| 0 | 6/07/2022 | benH | | |
| | | | | SCHEME |
| | | | | 04 |

CONTRACT:

LOCATION: +L1 Main electrical closet

User data 1
Spot Control Panel 10Hp (Three Phase)

User data 2



Nicolini - 165 T41125/5IN1C2KO
 Nicolini - 165 T41125/5NR1C3KG



118 90019400 - Control Panel

CONTRACT:

LOCATION:

+L1

Main electrical closet

| REV. | DATE | NAME | CHANGES | REVISION |
|------|------------|------|---------|----------|
| 1 | 29/07/2022 | benH | | 1 |
| 0 | 8/07/2022 | benH | | |
| | | | | SCHEME |
| | | | | 04 |



If you need assistance with the operation of your
SPOT Cleaner please contact

02 4577 2144

sales@bargroup.com.au

October 2022